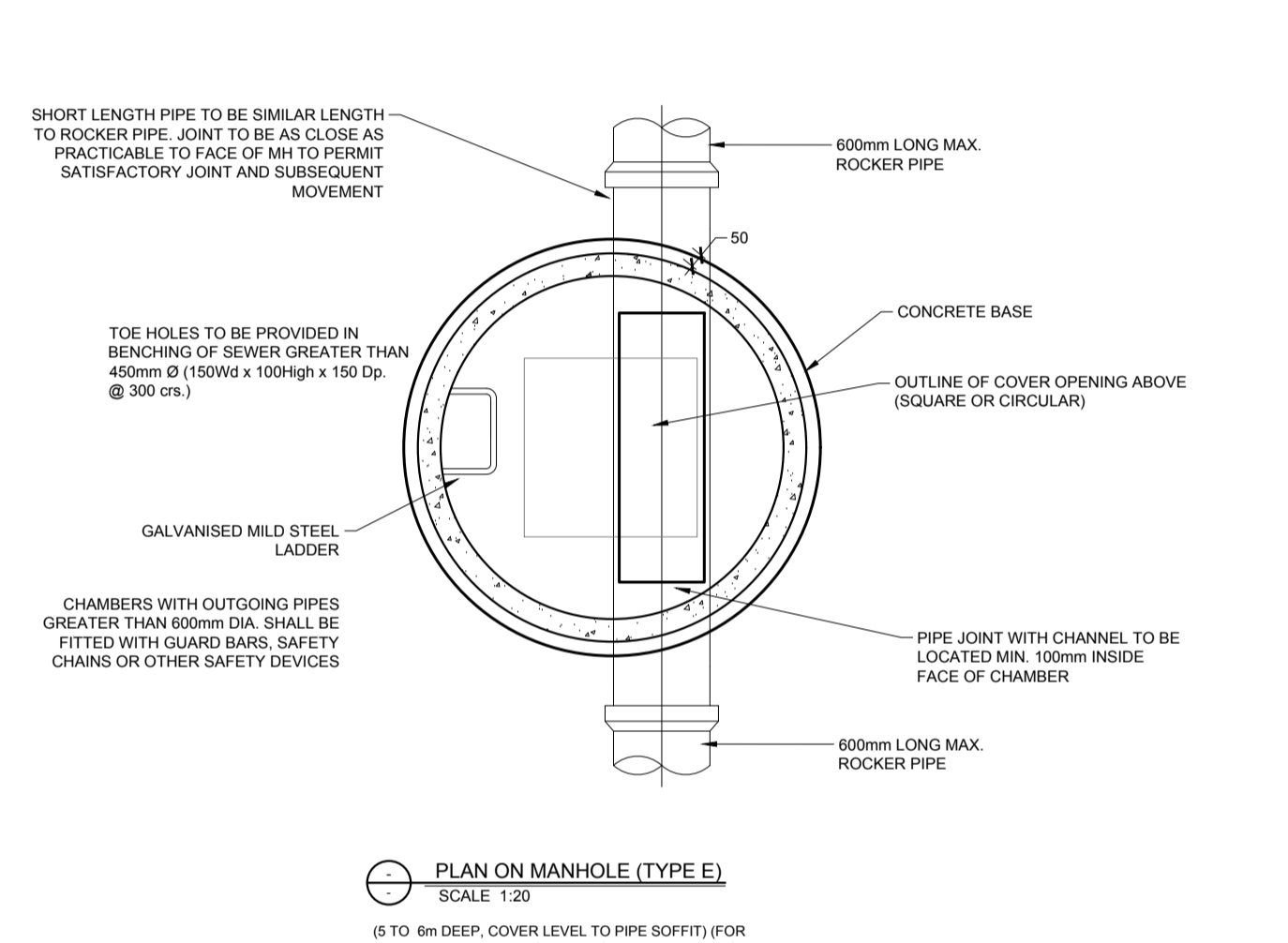
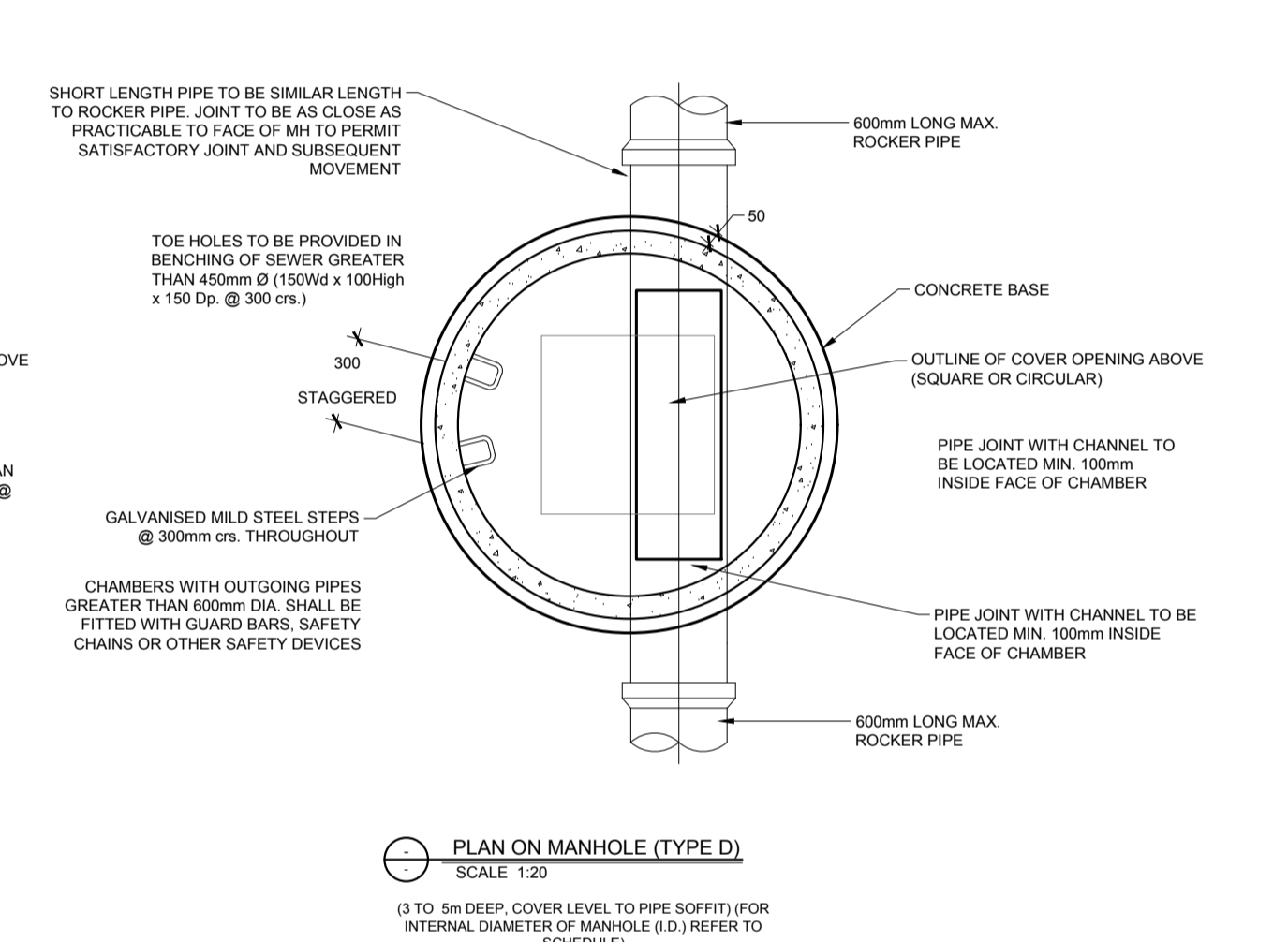
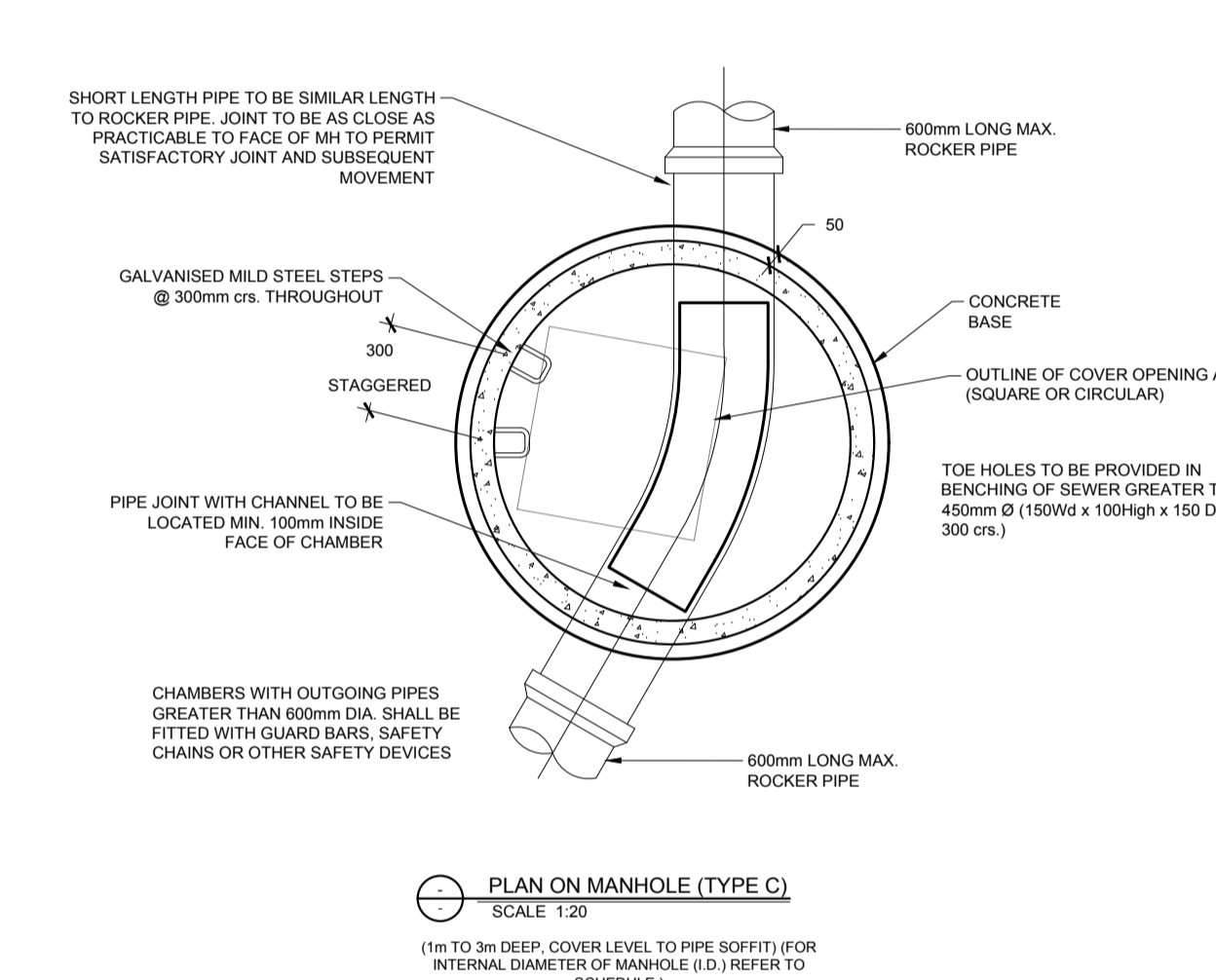
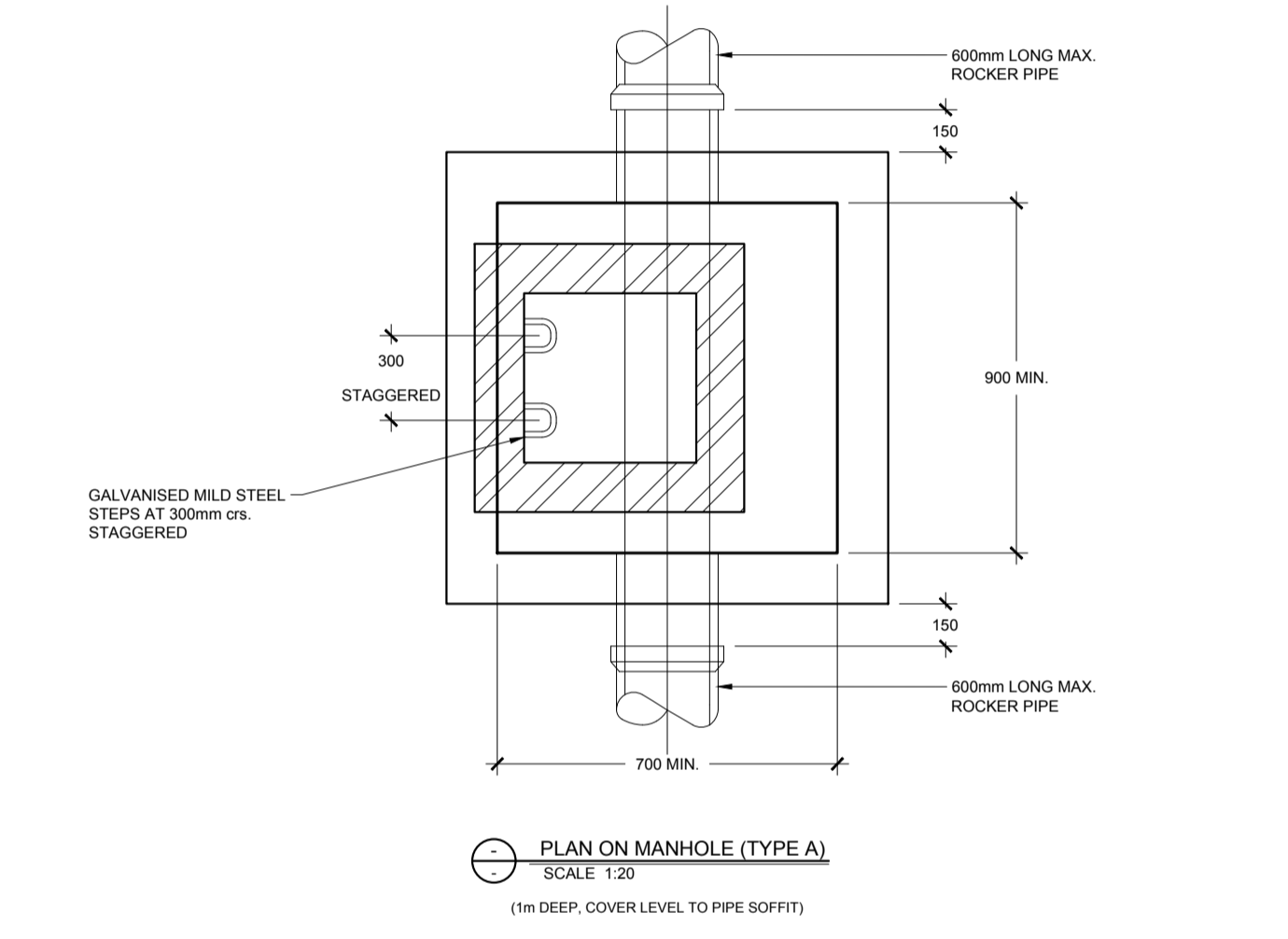
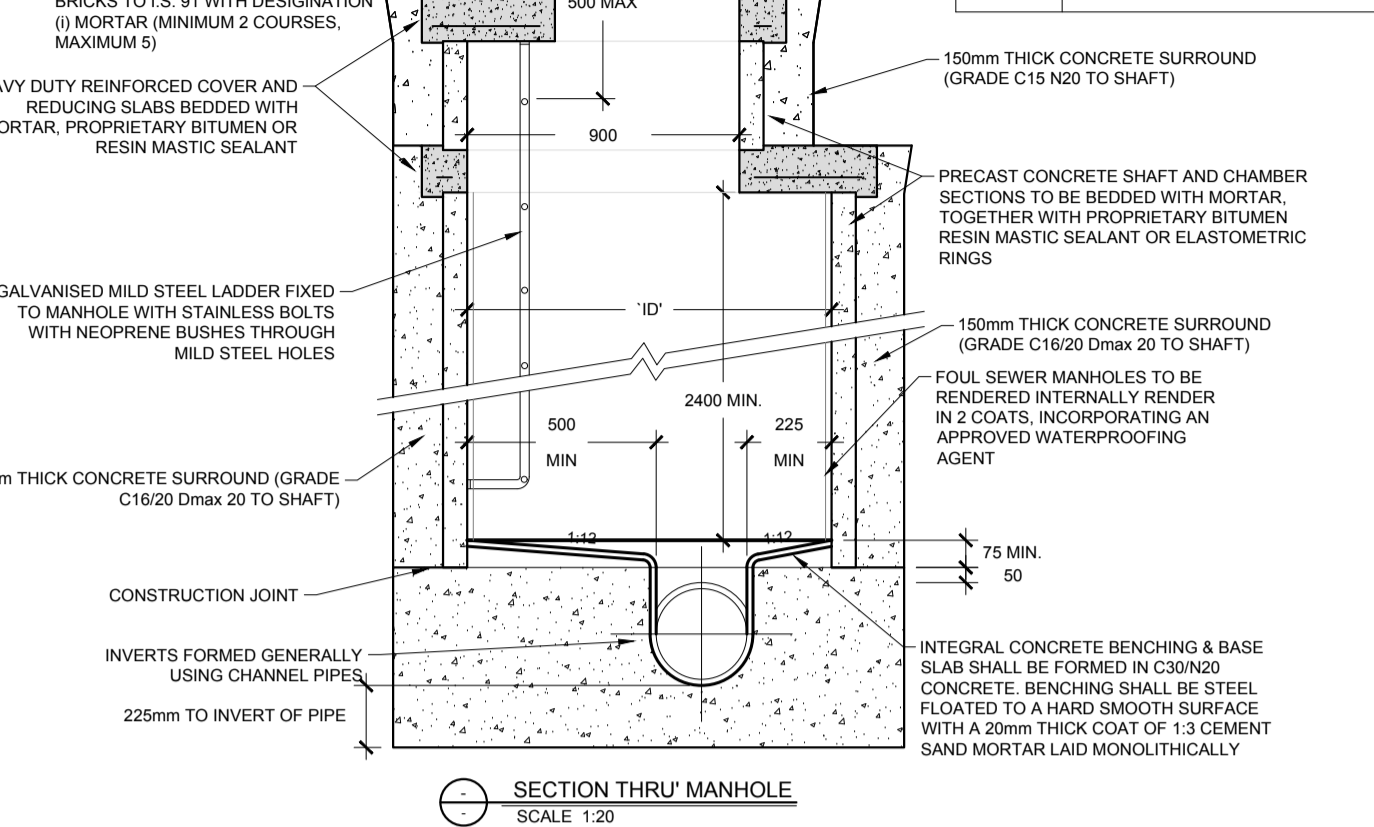
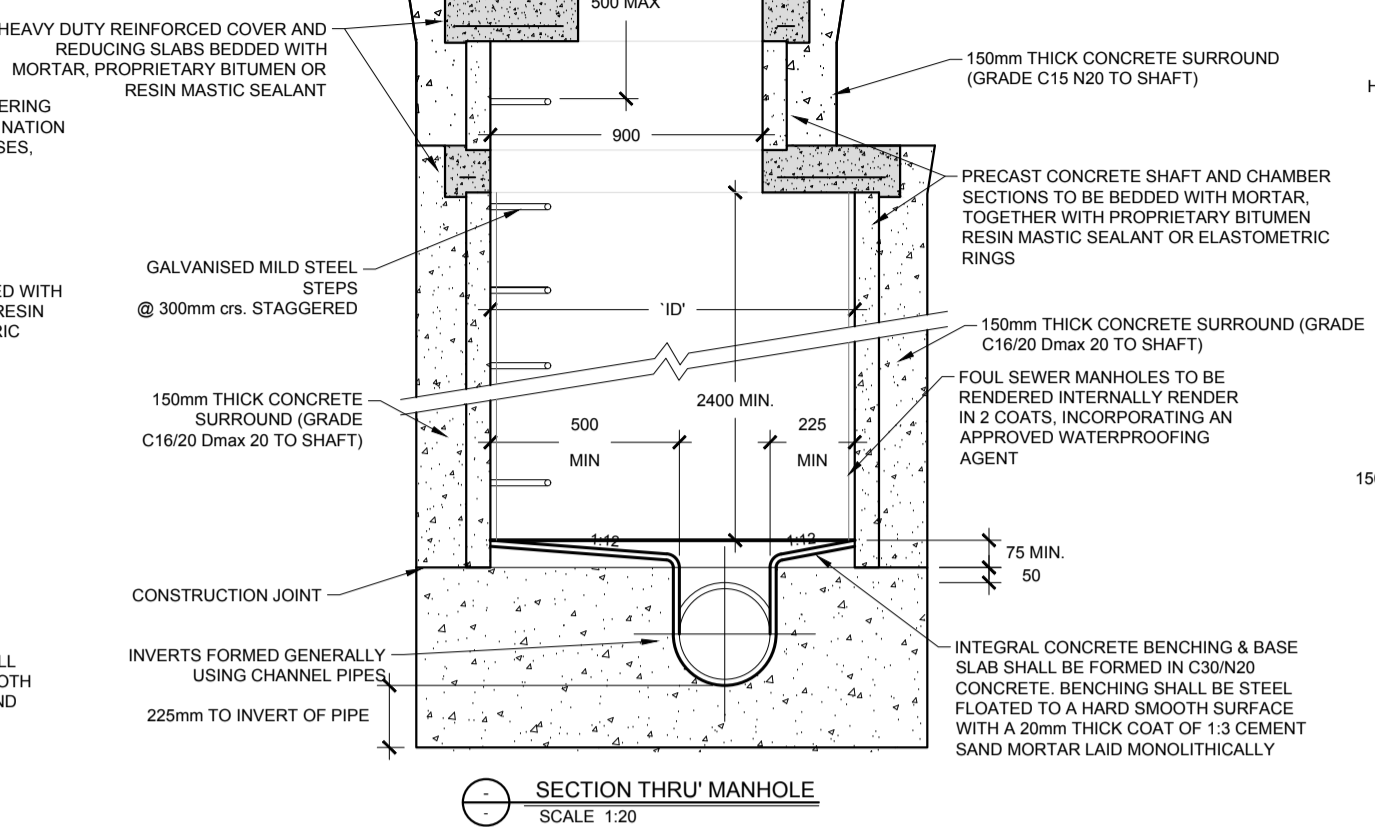
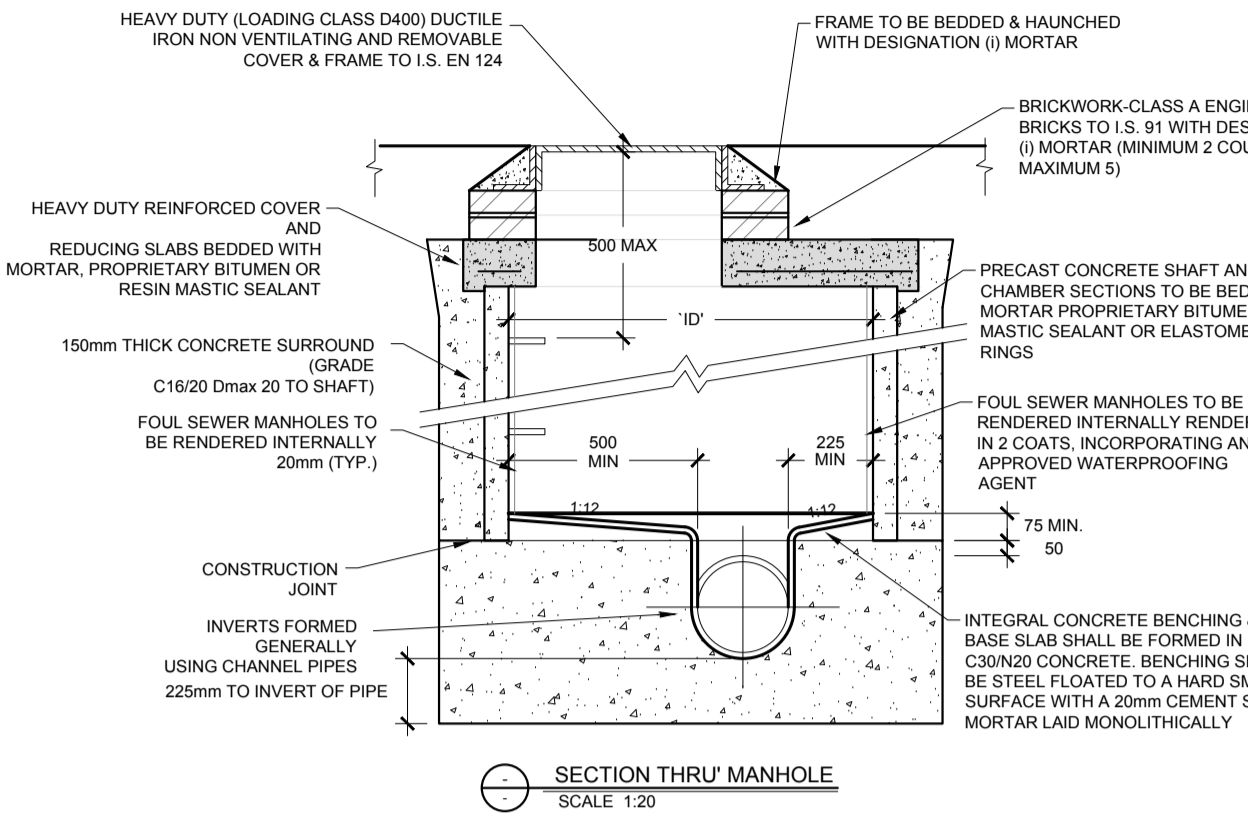
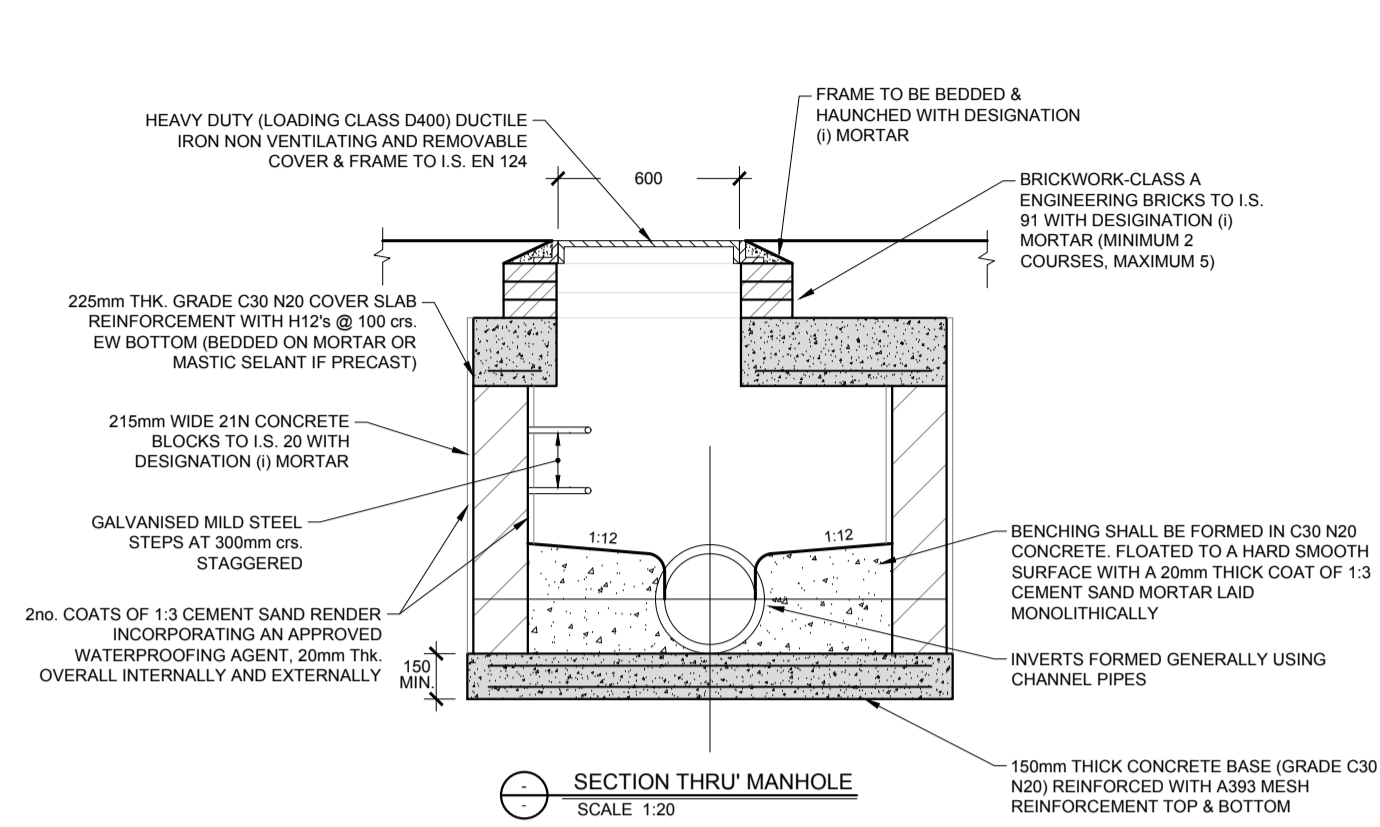


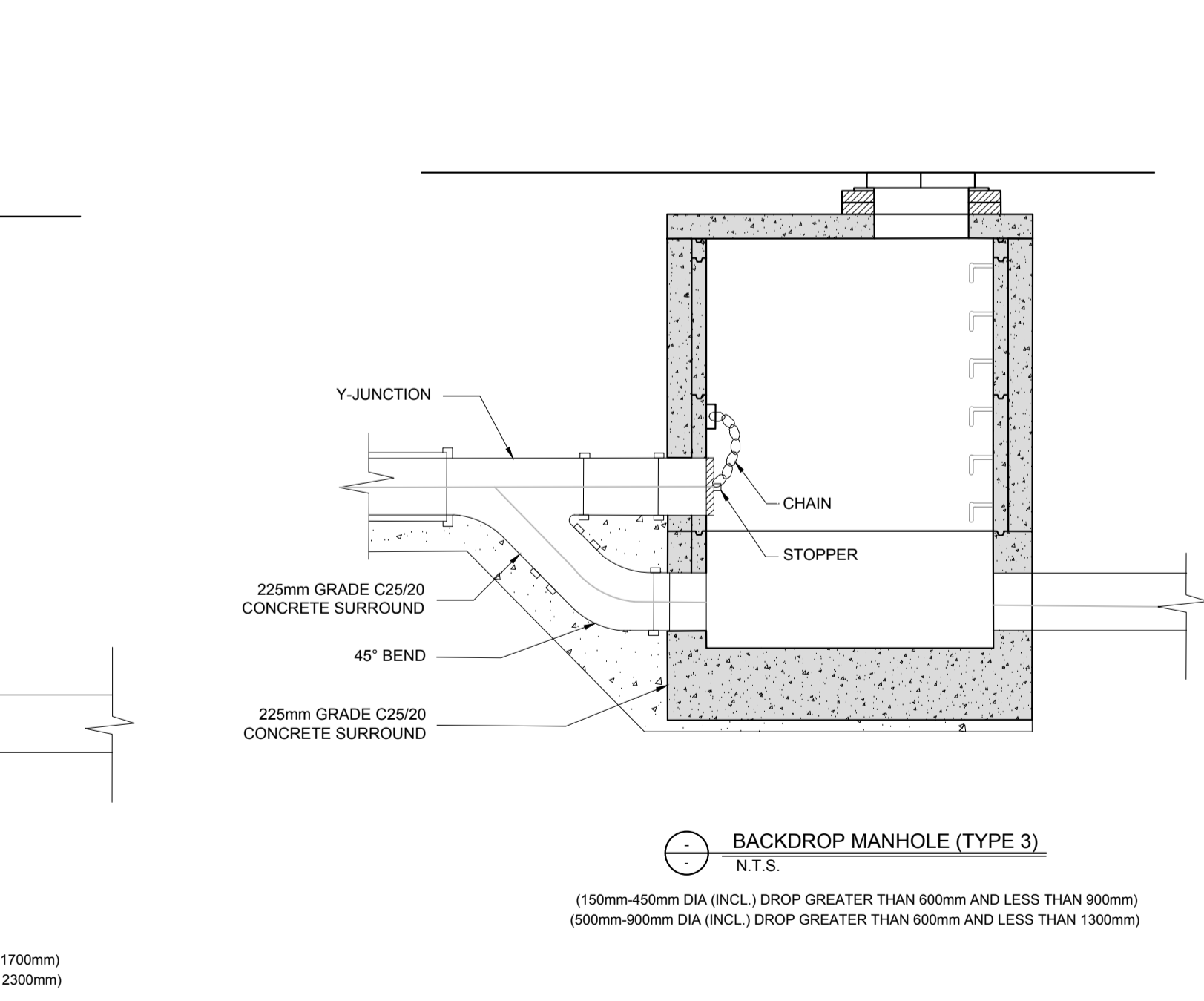
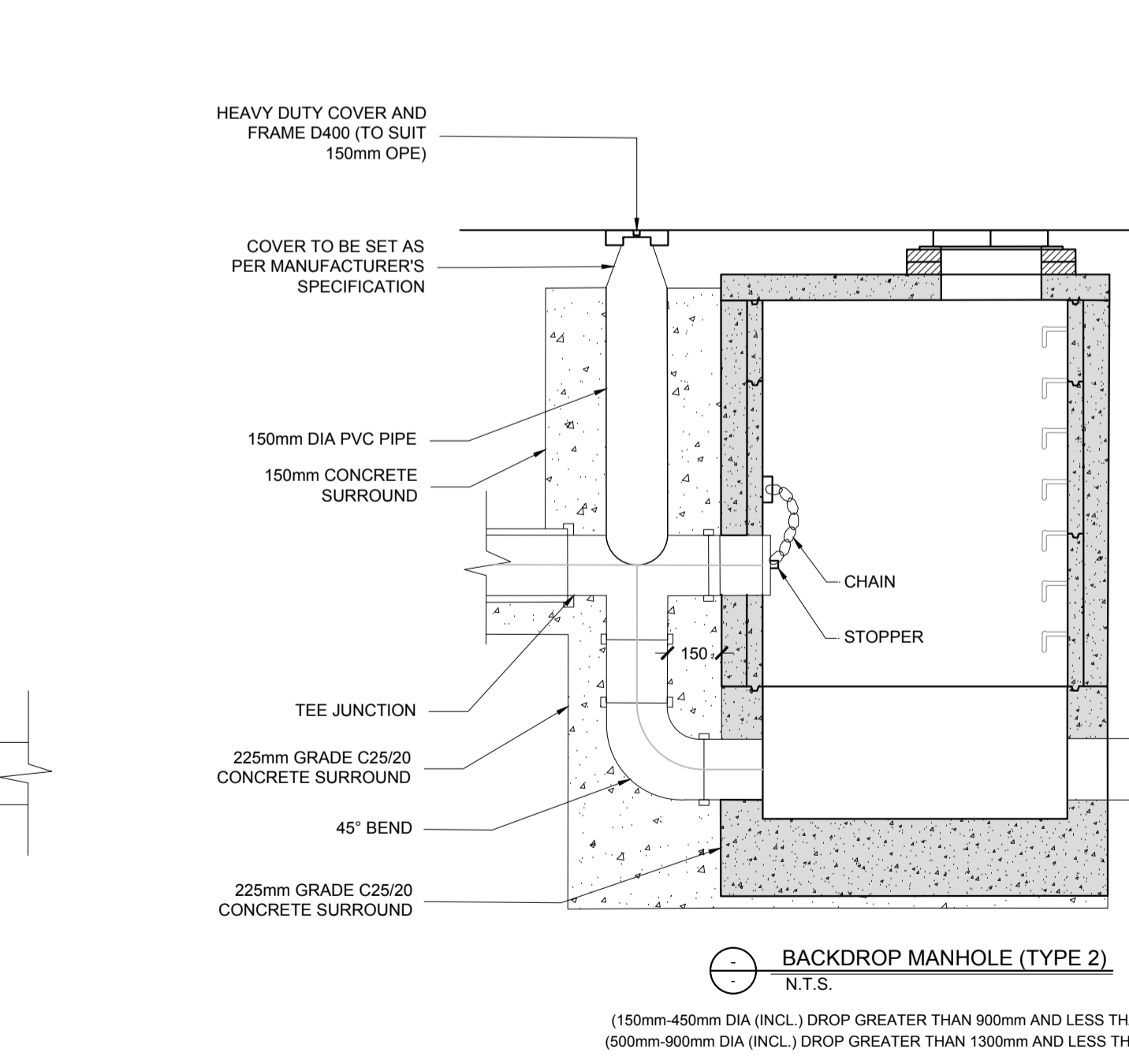
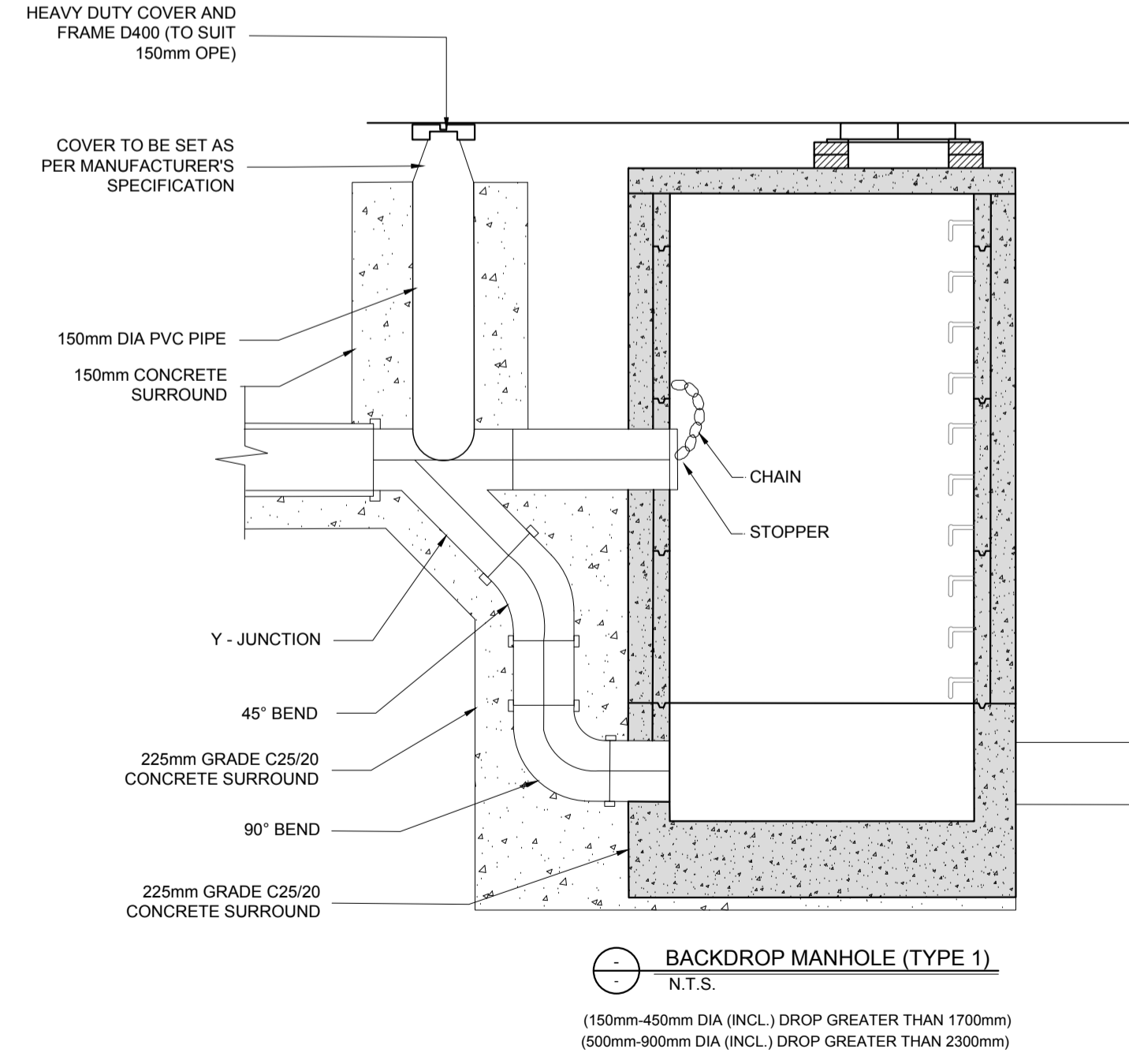
**REVISION SCHEDULE**

REV. NO.	REV. DESCRIPTION	REV. DATE	DRAWN	CHECKED
PL1	ISSUED FOR PLANNING	14/03/2019	TGB	KOM
PL2	ISSUED FOR PLANNING	28/08/2019	JPC	JFC



PIPE Ø (mm)	MANHOLE TYPE			
	A	C	D	E
UP TO 225	700 x 900	9000		
300	700 x 900	10500	10500	10500
375	700 x 900	10500	10500	10500
450	700 x 900	10500	10500	10500
525	700 x 900	12000	12000	12000
600		12000	12000	12000
675		13500	13500	13500
750		13500	15000	15000
900		15000	15000	15000

- NOTES**
- ALL DIMENSIONS ARE IN MILLIMETRES (mm) UNLESS NOTED OTHERWISE.
  - ROODING EYE CHAMBER SHALL BE COVERED WITH APPROVED HEAVY DUTY METAL COVERS TO IS 261 AND BS 5834. COVER AND FRAME SHALL BE SUITABLE FOR ROAD AND TRAFFIC CONDITIONS AND IS SUBJECT TO THE APPROVAL OF IRISH WATER.
  - ALL CHAMBERS TO BE CHECKED FOR UPLIFT BY THE DEVELOPER BASED ON GROUND CONDITIONS WITHIN THE SITE. SHOULD ANTI FLOATION MEASURES BE REQUIRED THEY SHALL BE SUBJECT TO APPROVAL FROM IRISH WATER.
  - ALL CONCRETE TO BE IN ACCORDANCE WITH IS EN 206.
  - MANHOLE DETAILS TO BE IN ACCORDANCE WITH IRISH WATER STANDARDS.



Drawing Stage:  <b>PLANNING</b>	Project Details:	Notes		Drawn by:	Checked by:	Approved by:	Date:	Behan House, 10 Lower Mount Street, Dublin 2. D02 HT71 Tel: +353 1 661 1100 e-mail: info@cora.ie Web: www.cora.ie				
	Site Address:	1. ALL ENGINEERS DRAWINGS TO BE READ IN CONJUNCTION WITH RELEVANT DRAWINGS AND SPECIFICATIONS.		TGB	KOM	KOM	14/03/2019					
	Client:	2. ALL SETTING OUT TO ARCHITECTS DRAWINGS.		Project Name:		Scale:	Project Number:					
	Architect:	3. DO NOT SCALE FROM ENGINEERS DRAWINGS.		ARDEE POINT		A.S @A1	1896					
	M&E Designer:	4. ANY DISCREPANCIES BETWEEN DRAWINGS, SKETCHES, VERBAL INSTRUCTIONS AND SITE CONDITIONS TO BE REFERRED TO THE DESIGN TEAM BEFORE WORK COMMENCES.		Drawing Title:		Project:	Originator:					
Contractor:	5. ALL LEVELS ARE STRUCTURAL UNLESS NOTED OTHERWISE.		STANDARD WATER SERVICES DETAILS		AP	CORA						
		6. DETAILS SHOWN ARE IN ACCORDANCE WITH IRISH WATER STANDARD DETAILS AND CODES OF PRACTICE. REFERENCE SHOULD BE MADE TO CURRENT IRISH WATER STANDARD DETAILS IN ADVANCE OF CONSTRUCTION.		SHEET 1 OF 4		Zone:	Level:	Type:	Discipline:	Drawing No:	Stage:	Revision:
		7. VALVES, METERS AND HYDRANTS IN LANDSCAPED AREAS TO BE INSTALLED ON CONCRETE PLINths WITH MARKER POSTS IN ACCORDANCE WITH IRISH WATER STANDARD DETAILS.				00	ZZ	DR	C	010	-	PL2