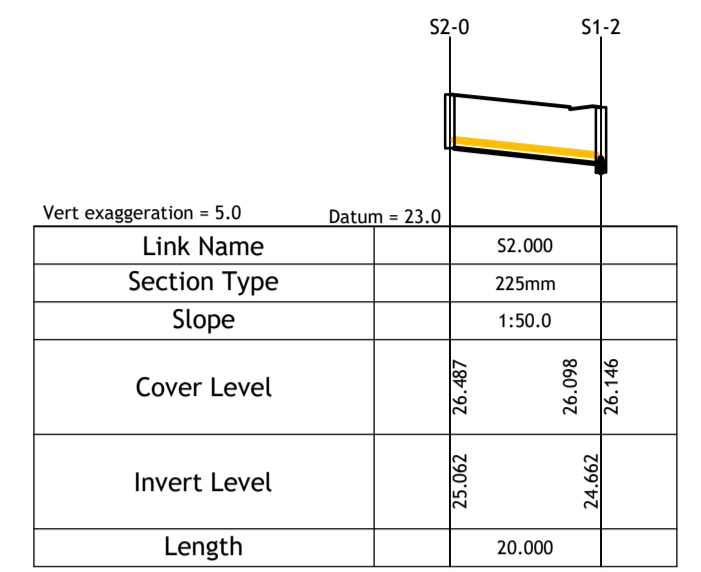
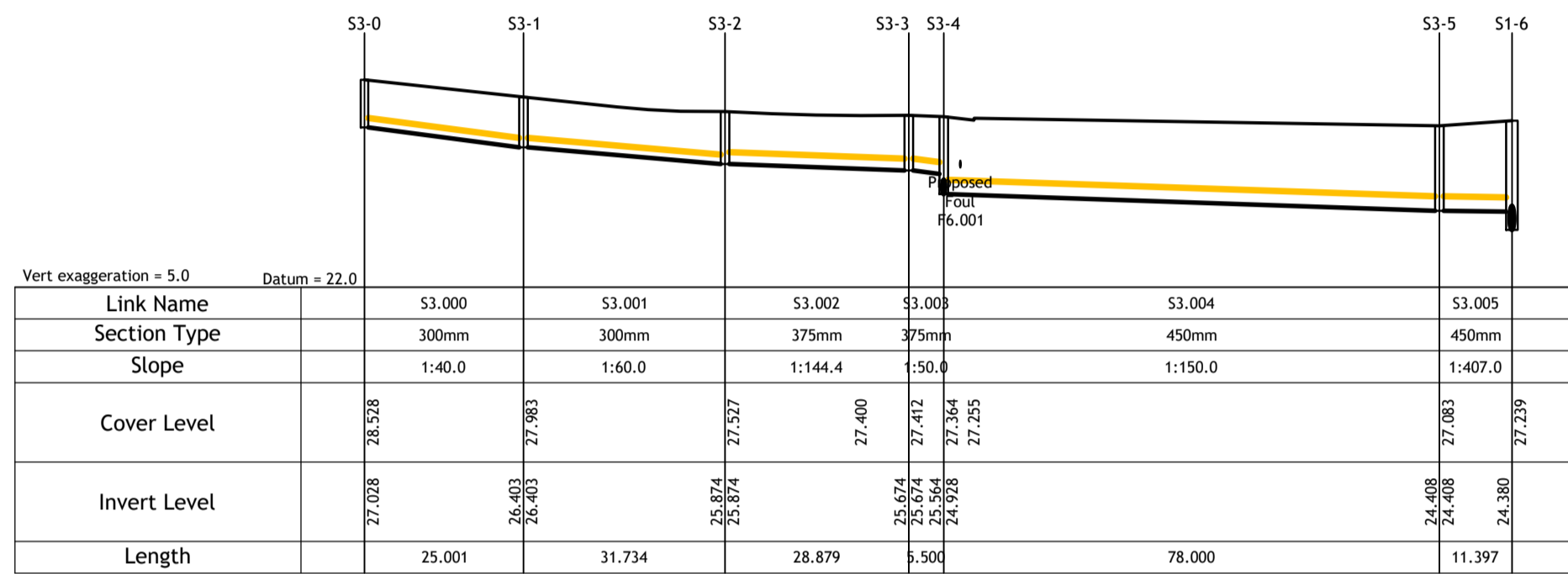


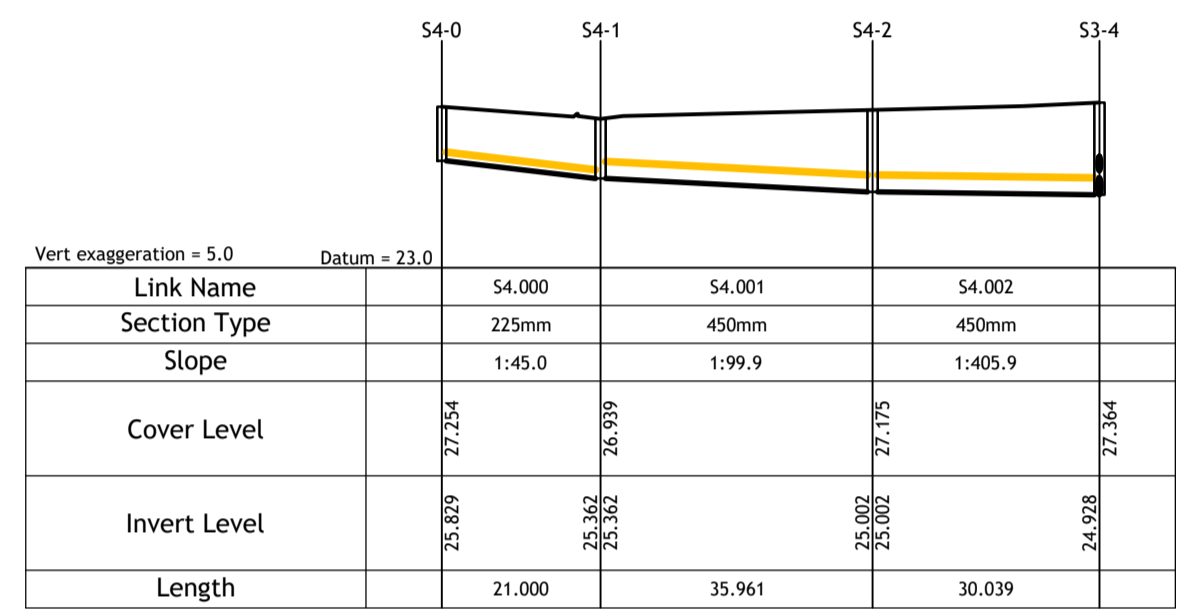
PIPERUN 1 - STORM - LONGITUDINAL SECTION
SCALE HORIZONTAL 1:1000 VERTICAL 1:200



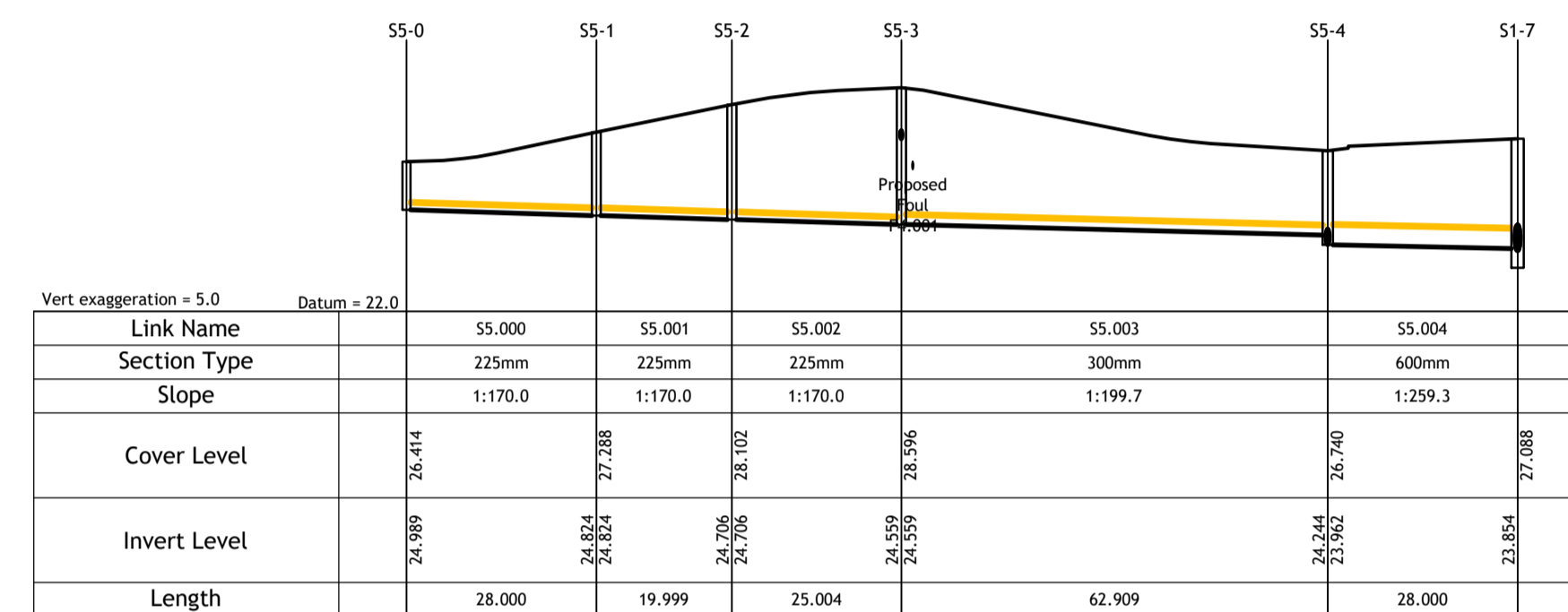
PIPERUN 2 - STORM - LONGITUDINAL SECTION
SCALE HORIZONTAL 1:1000 VERTICAL 1:200



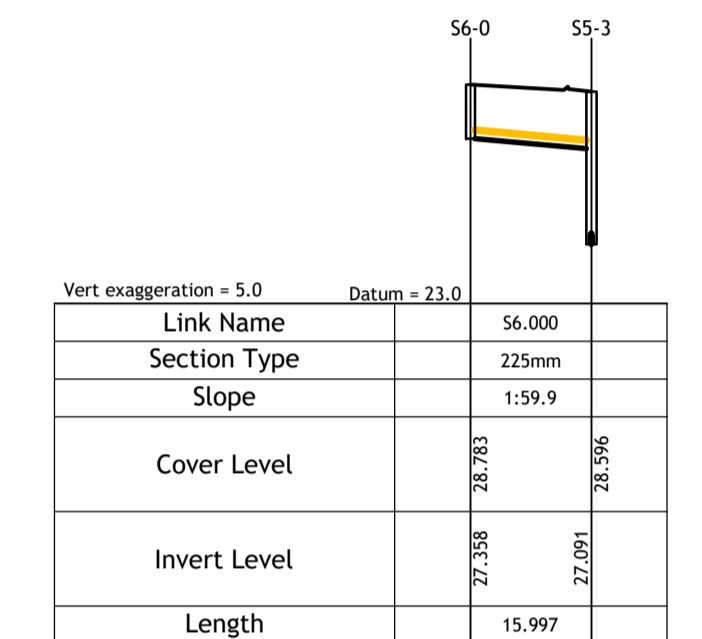
PIPERUN 3 - STORM - LONGITUDINAL SECTION
SCALE HORIZONTAL 1:1000 VERTICAL 1:200



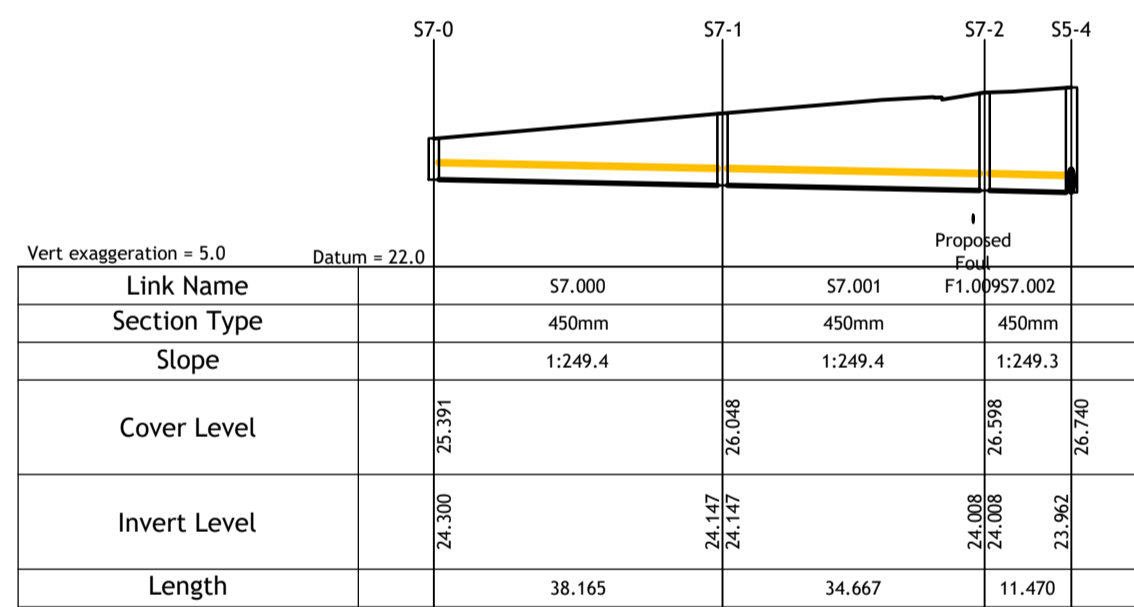
PIPERUN 4 - STORM - LONGITUDINAL SECTION
SCALE HORIZONTAL 1:1000 VERTICAL 1:200



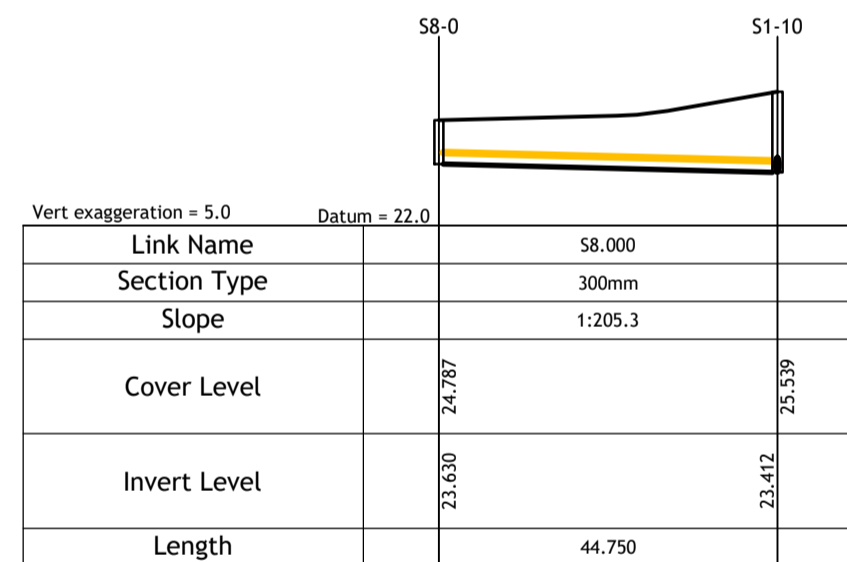
PIPERUN 5 - STORM - LONGITUDINAL SECTION
SCALE HORIZONTAL 1:1000 VERTICAL 1:200



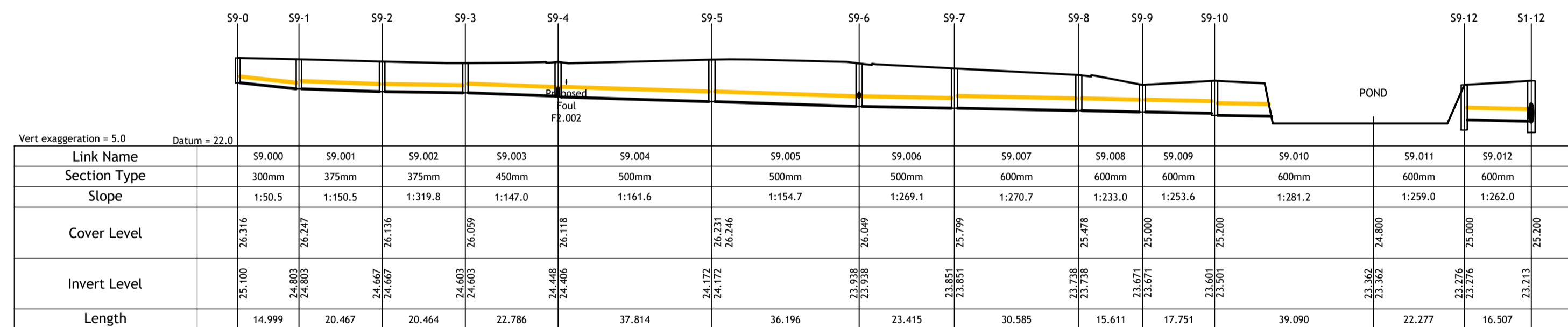
PIPERUN 6 - STORM - LONGITUDINAL SECTION
SCALE HORIZONTAL 1:1000 VERTICAL 1:200



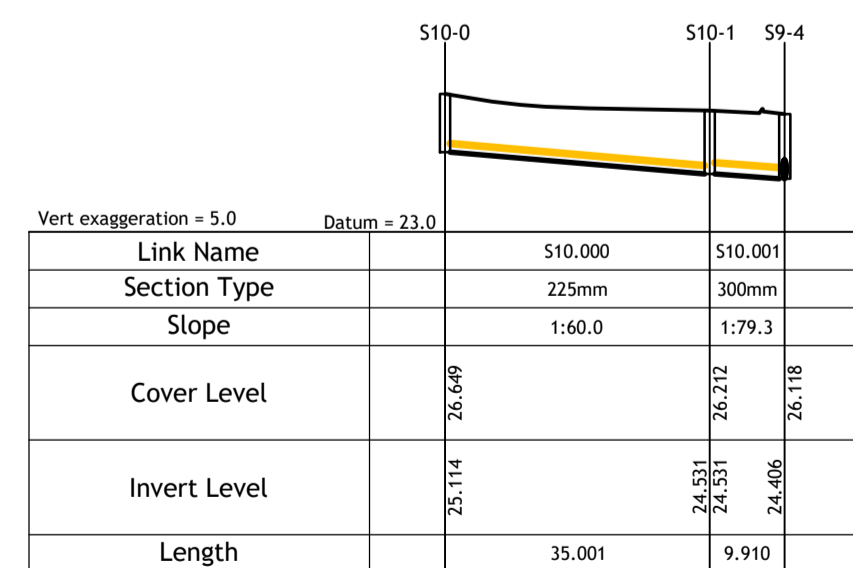
PIPERUN 7 - STORM - LONGITUDINAL SECTION
SCALE HORIZONTAL 1:1000 VERTICAL 1:200



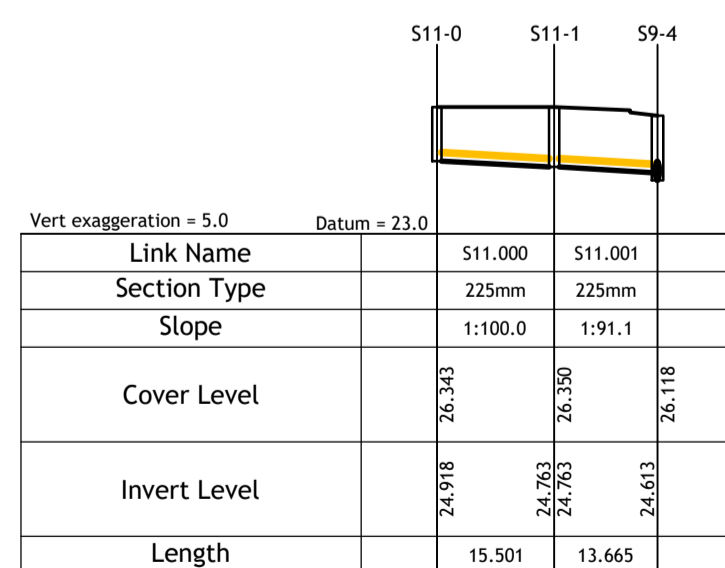
PIPERUN 8 - STORM - LONGITUDINAL SECTION
SCALE HORIZONTAL 1:1000 VERTICAL 1:200



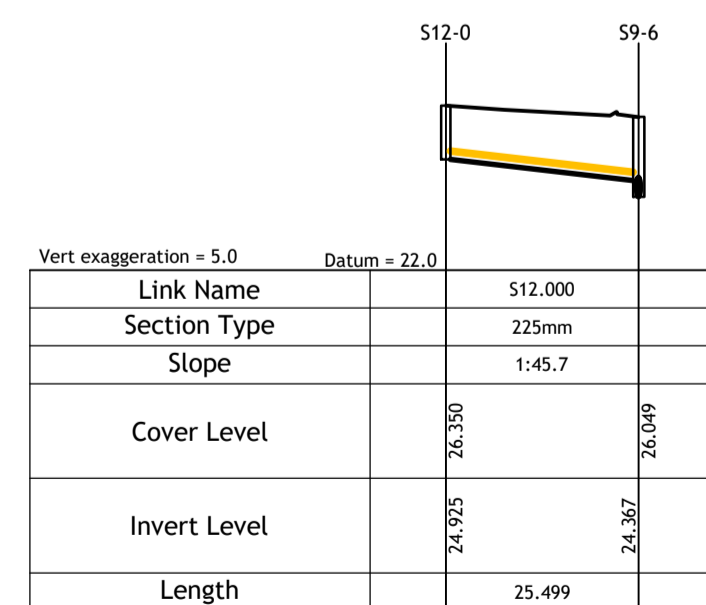
PIPERUN 9 - STORM - LONGITUDINAL SECTION
SCALE HORIZONTAL 1:1000 VERTICAL 1:200



PIPERUN 10 - STORM - LONGITUDINAL SECTION
SCALE HORIZONTAL 1:1000 VERTICAL 1:200



PIPERUN 11 - STORM - LONGITUDINAL SECTION
SCALE HORIZONTAL 1:1000 VERTICAL 1:200



PIPERUN 12 - STORM - LONGITUDINAL SECTION
SCALE HORIZONTAL 1:1000 VERTICAL 1:200



Rev	Amendment	By	Date
PR1	DESIGN UPDATED	PJM	2019-12-20
PL0	ISSUED FOR PLANNING	PJM	2020-01-15

