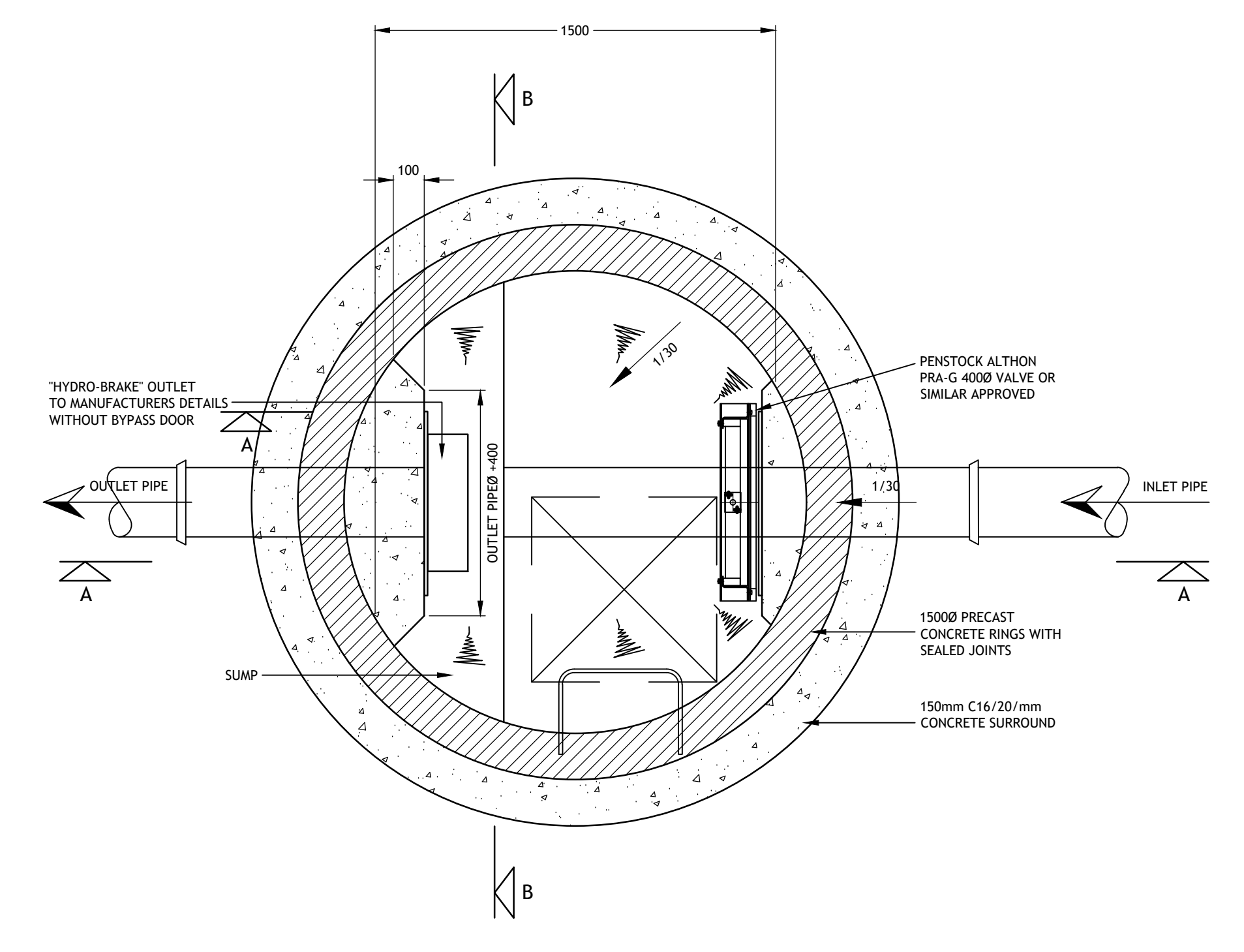


(*) DIMENSION TO BE APPROVED BY HYDRO-BRAKE™ SUPPLIERS



TYPICAL "HYDROBRAKE" MANHOLE DETAIL
SCALE 1:20

DIAMETER OF LARGEST PIPE IN MANHOLE (mm)	INTERNAL DIAMETER OF MANHOLE (mm)
LESS THAN 375	1200
375 - 750	1500
750 - 900	1800
> 900	CONSULT LOCAL AUTHORITY

NOTE :
USE 1050 DIAMETER RINGS FOR PIPES LESS THAN 375mm DIAMETER WHERE DEPTH TO SOFFIT IS 1.35 - 1.5m

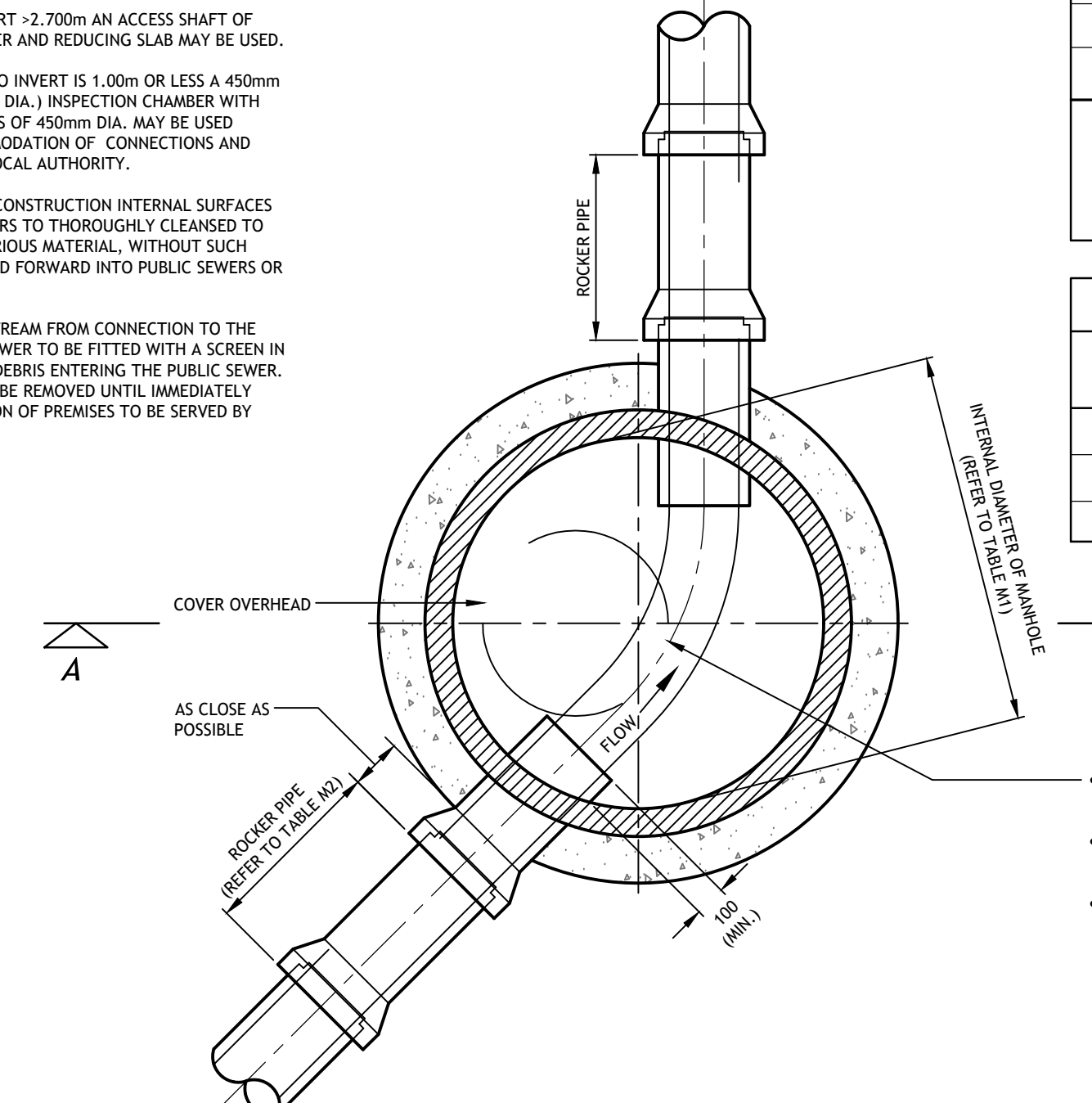
NOMINAL PIPE DIAMETER (mm)	EFFECTIVE LENGTH (M)
150 to 600	0.60
675 to 750	1.00
Over 750	1.25

- MANHOLE COVER TO BE HINGED AT RIGHT ANGLES TO KERBLINE SO THAT THEY CLOSE IN DIRECTION OF TRAFFIC.
- MANHOLE COVERS ON ROADS SHOULD BE LOCATED IN THE MIDDLE OF TRAFFICKED LANES INSIDE WHEEL TRACKS
- COVER AND FRAME TO BE INSTALLED SO THAT NO PART OF THE UNIT IS RAISED OR SUNKEN IN A WAY THAT COULD CAUSE A HAZARD TO PEDESTRIAN OR VEHICULAR TRAFFIC

- NOTE :
- MANHOLES WITH OUTGOING PIPES GREATER THAN 600mm DIA. SHOULD BE FITTED WITH GUARD BARS, SAFETY CHAINS OR OTHER SAFETY DEVICES.
 - FOR DEPTHS TO INVERT >2.700m AN ACCESS SHAFT OF MIN. 900mm DIAMETER AND REDUCING SLAB MAY BE USED.
 - WHERE THE DEPTH TO INVERT IS 1.00m OR LESS A 450mm x 450mm (OR 450mm DIA.) INSPECTION CHAMBER WITH MINIMUM COVER SIZES OF 450mm DIA. MAY BE USED SUBJECT TO ACCOMMODATION OF CONNECTIONS AND APPROVAL OF THE LOCAL AUTHORITY.
 - ON COMPLETION OF CONSTRUCTION INTERNAL SURFACES OF MANHOLE & SEWERS TO THOROUGHLY CLEANSED TO REMOVE ALL DELETERIOUS MATERIAL, WITHOUT SUCH MATTER BEING PASSED FORWARD INTO PUBLIC SEWERS OR WATERCOURSES
 - FIRST MANHOLE UPSTREAM FROM CONNECTION TO THE (EXISTING) PUBLIC SEWER TO BE FITTED WITH A SCREEN IN ORDER TO PREVENT DEBRIS ENTERING THE PUBLIC SEWER. THE SCREEN NOT TO BE REMOVED UNTIL IMMEDIATELY PRIOR TO OCCUPATION OF PREMISES TO BE SERVED BY SEWER.

- NOTE :
- MANHOLES WITH OUTGOING PIPES GREATER THAN 600mm DIA. SHOULD BE FITTED WITH GUARD BARS, SAFETY CHAINS OR OTHER SAFETY DEVICES.
 - FOR DEPTHS TO INVERT >2.700m AN ACCESS SHAFT OF MIN. 900mm DIAMETER AND REDUCING SLAB MAY BE USED.
 - WHERE THE DEPTH TO INVERT IS 1.00m OR LESS A 450mm x 450mm (OR 450mm DIA.) INSPECTION CHAMBER WITH MINIMUM COVER SIZES OF 450mm DIA. MAY BE USED SUBJECT TO ACCOMMODATION OF CONNECTIONS AND APPROVAL OF THE LOCAL AUTHORITY.
 - ON COMPLETION OF CONSTRUCTION INTERNAL SURFACES OF MANHOLE & SEWERS TO THOROUGHLY CLEANSED TO REMOVE ALL DELETERIOUS MATERIAL, WITHOUT SUCH MATTER BEING PASSED FORWARD INTO PUBLIC SEWERS OR WATERCOURSES
 - FIRST MANHOLE UPSTREAM FROM CONNECTION TO THE (EXISTING) PUBLIC SEWER TO BE FITTED WITH A SCREEN IN ORDER TO PREVENT DEBRIS ENTERING THE PUBLIC SEWER. THE SCREEN NOT TO BE REMOVED UNTIL IMMEDIATELY PRIOR TO OCCUPATION OF PREMISES TO BE SERVED BY SEWER.

SECTION A-A
SCALE 1:20



SECTION B-B
SCALE 1:20

SURFACE WATER MANHOLE

DIAMETER OF LARGEST PIPE IN MANHOLE (mm)	INTERNAL DIAMETER OF MANHOLE (mm)
LESS THAN 375	1200
375 - 450	1350
500 - 700	1500
750 - 900	1800
> 900	CONSULT LOCAL AUTHORITY

NOTE :
USE 1050 DIAMETER RINGS FOR PIPES LESS THAN 375mm DIAMETER WHERE DEPTH TO SOFFIT IS 1.35 - 1.5m

NOMINAL PIPE DIAMETER (mm)	EFFECTIVE LENGTH (M)
150 to 600	0.6
675 to 750	1.0
Over 750	1.2