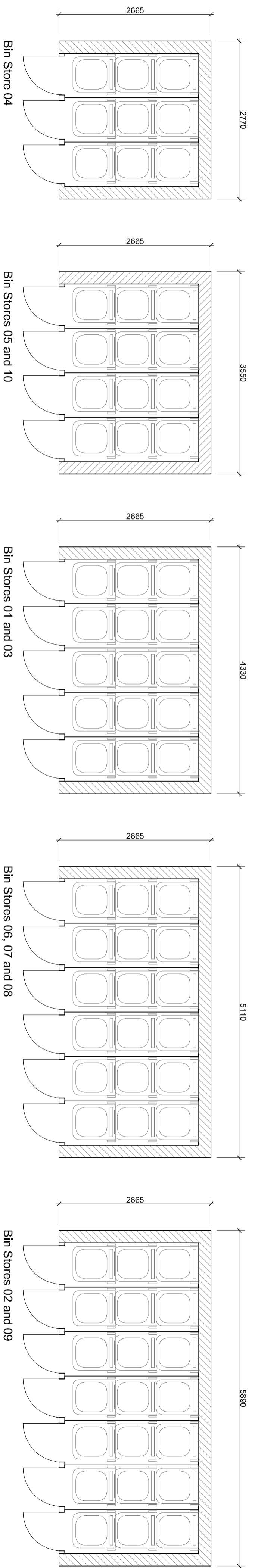
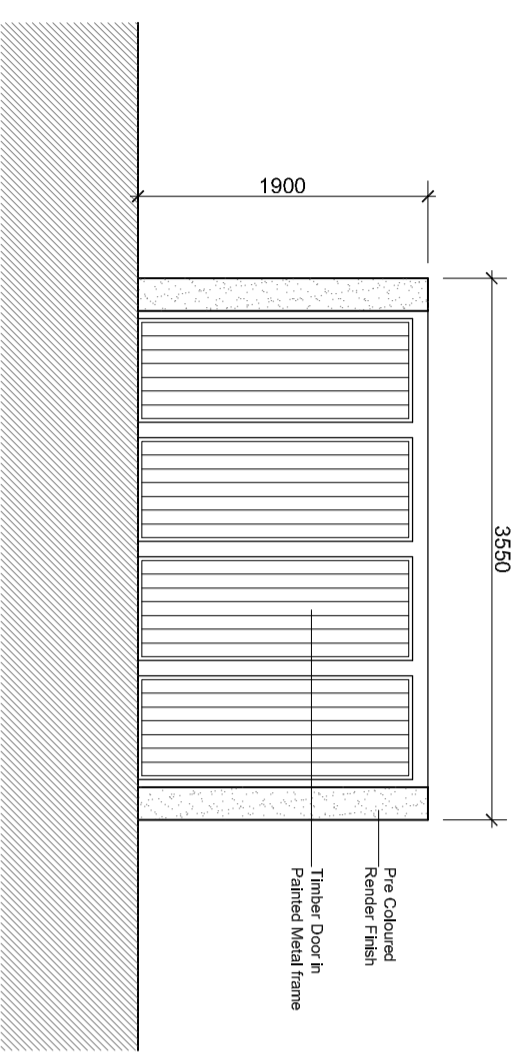


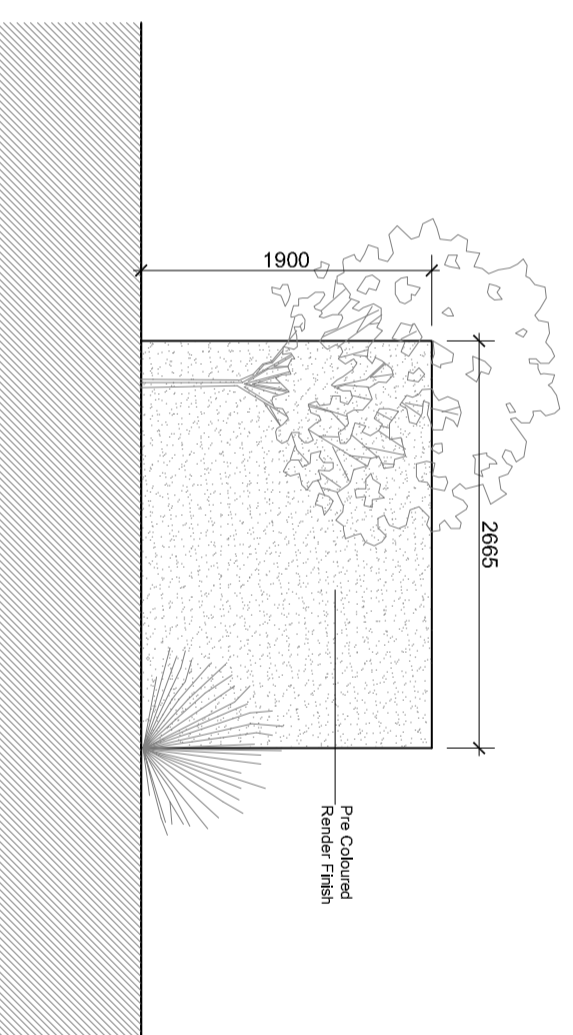
The copyright of this drawing is vested with Condonhia & Wright Ltd and must not be copied or reproduced without the consent of the company.  
 Figured dimensions only to be taken from this drawing. DO NOT SCALE.  
 All contractors must visit the site and be responsible for checking all setting out dimensions and notifying the architect of any discrepancies prior to any manufacture or construction work.  
 NOTES:



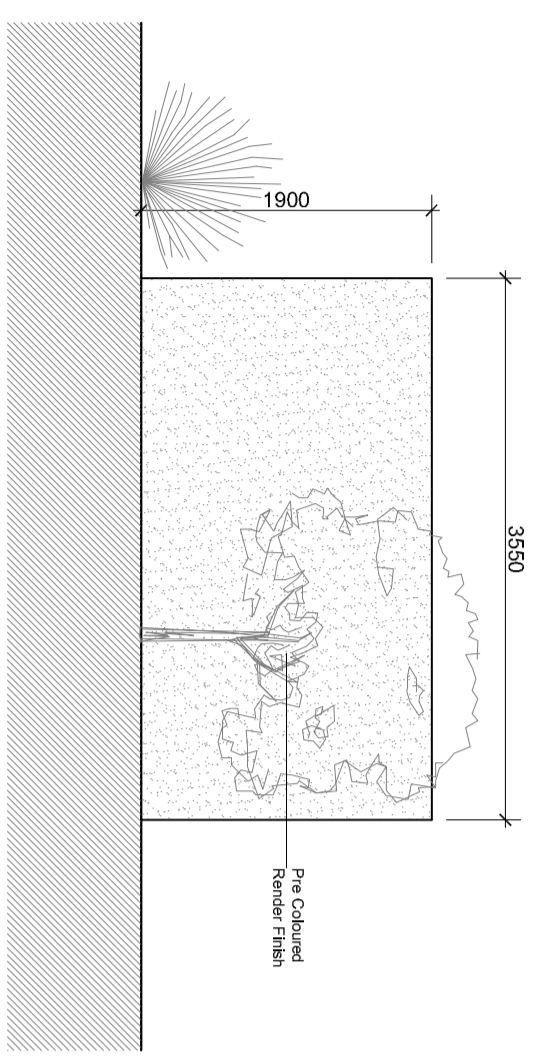
01 Ground Floor Plans  
 SCALE: 1:50



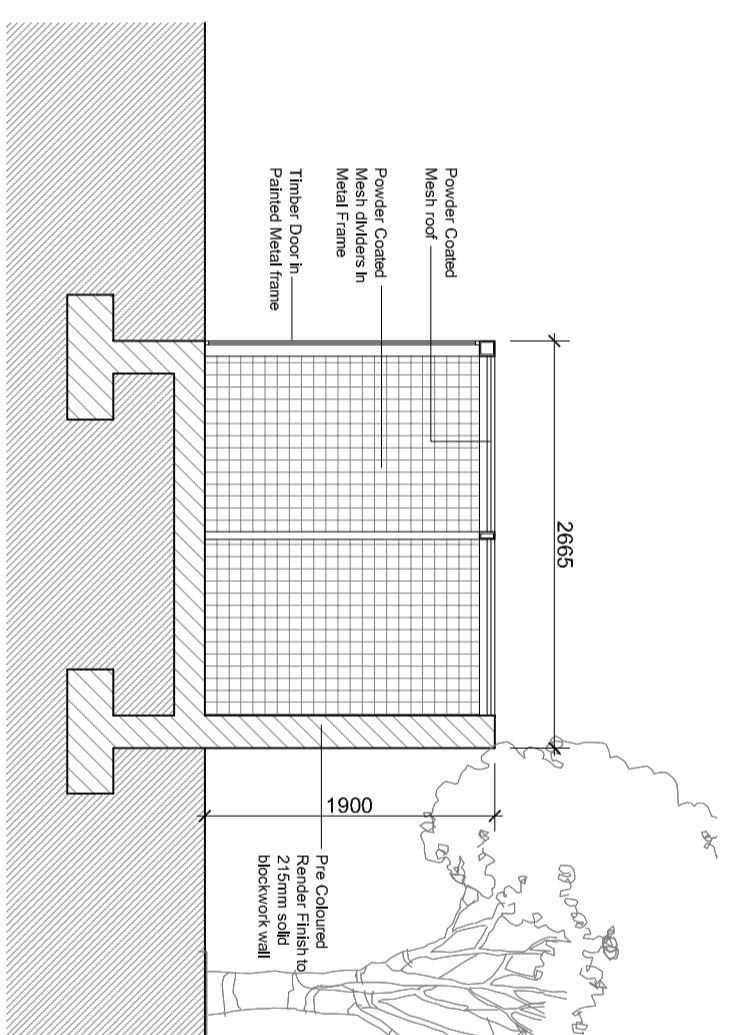
02 Front Elevation  
 SCALE: 1:50



03 Side Elevation  
 SCALE: 1:50



04 Rear Elevation  
 SCALE: 1:50



05 Cross Section  
 SCALE: 1:50

Rev	Date	Initials	Notes	CHK
A	05/2020	AC	SHD Issue.	

## SHD Issue

Client				
Romeville Developments Ltd				
Project				
Proposed Residential Development				
Stoney Hill Road, Rathcolle				
Co. Dublin				
Drawing Title				
Bin Stores				
Drawn	Checked	Paper Size	Scale	Date
pu	SB	A2	1:50	May 2020
Project No.	17-098	Drawing No.	116	Revision
				A