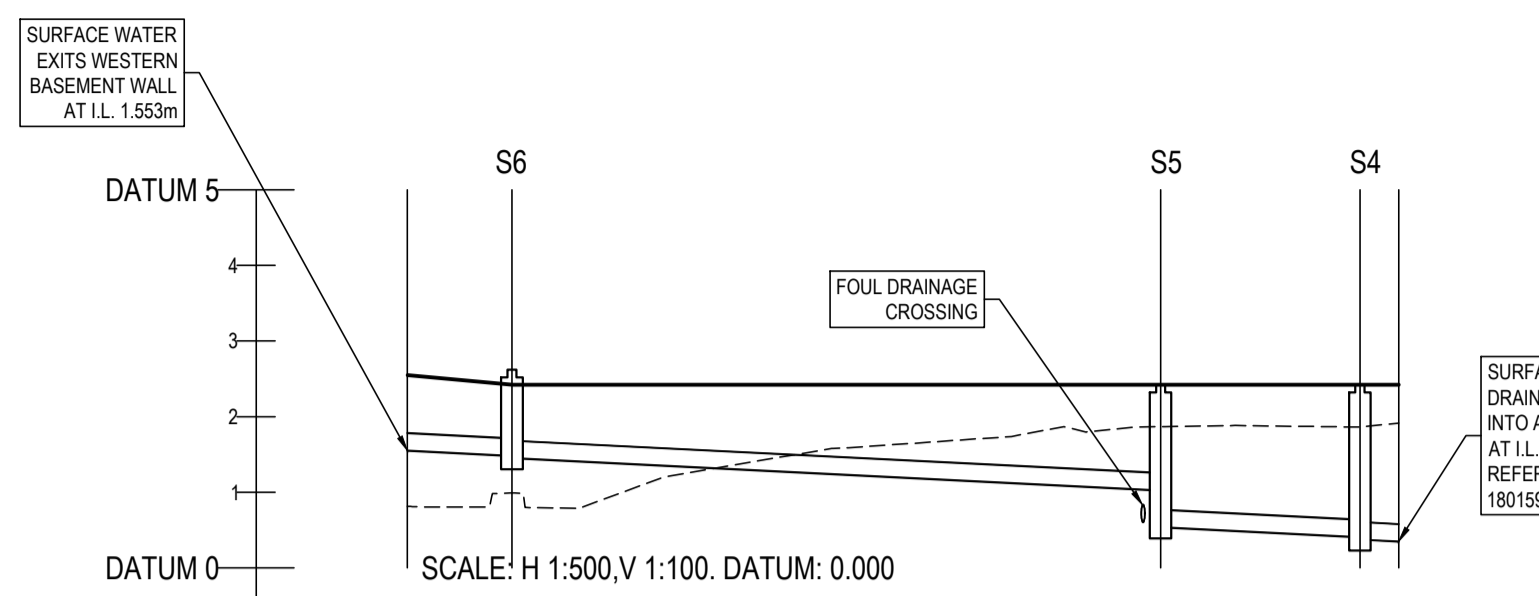


NOTES:

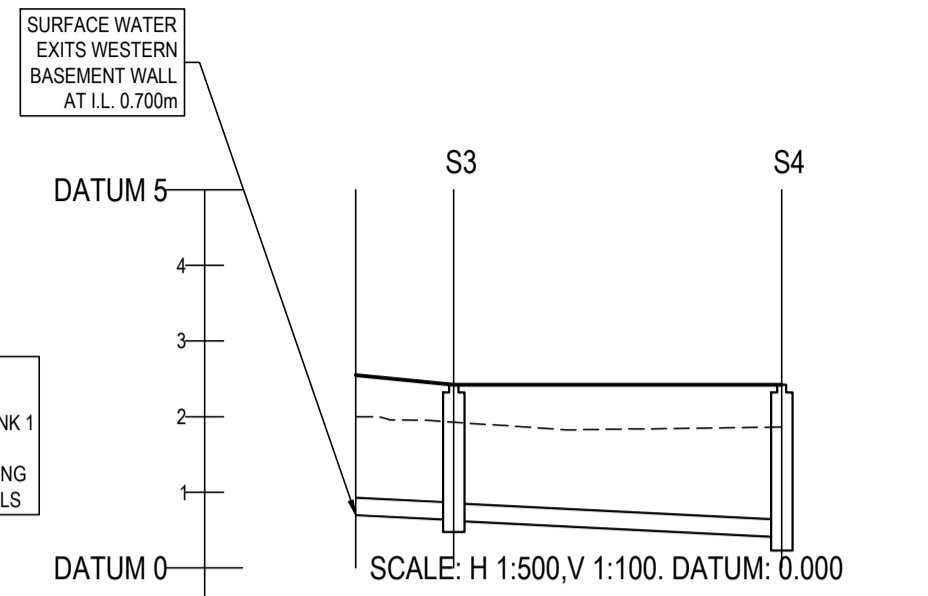
- ALL DRAWINGS TO BE CHECKED BY CONTRACTOR ON SITE AND ENGINEER INFORMED OF DISCREPANCIES BEFORE WORK COMMENCES
- ALL LEVELS ARE IN METRES AND ARE RELATED TO ORDNANCE DATUM
- CONTRACTOR SHALL SATISFY HIMSELF AS TO THE ACCURACY OF PAVEMENT LEVELS ON SITE PRIOR TO COMMENCEMENT OF WORKS ON SITE
- ALL WORKS TO BE CONSTRUCTED IN ACCORDANCE WITH THE NRA SPECIFICATION FOR ROAD WORKS UNLESS NOTED OTHERWISE
- THIS DRAWING IS FOR TENDER PURPOSES ONLY
- MANHOLE COVER LEVELS ARE TO CONFORM WITH FINISHED ROAD AND PATH LEVELS
- WHERE COVER TO PIPE IS LESS THAN 1200mm (ROAD/PATH VERGE) OR 900mm (OPEN SPACE) SURROUND PIPE IN MINIMUM 150mm CONCRETE
- ALL SURFACE WATER MANHOLES LOCATED INSIDE DEVELOPMENT SITE BOUNDARY TO BE TYPE J. ALL SURFACE WATER MANHOLES LOCATED INSIDE LANDS WITHIN DUBLIN CITY COUNCIL OWNERSHIP TO BE TYPE B.

KEY

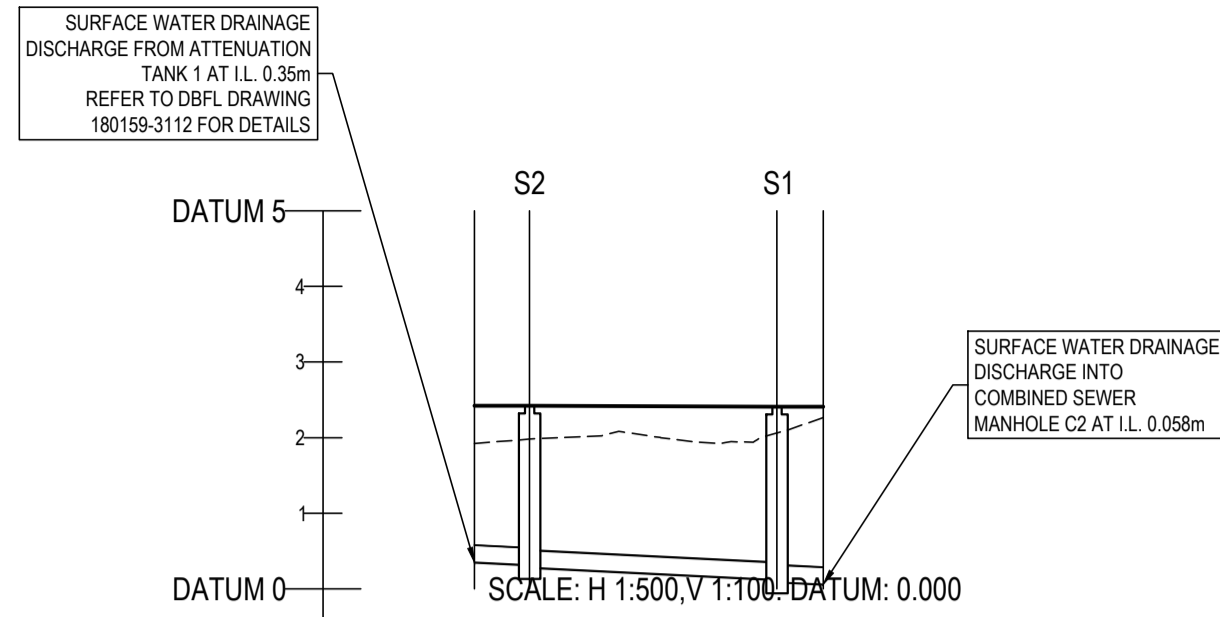
- EXISTING GROUND PROFILE
- PROPOSED GROUND PROFILE



COVER LEVEL		2.619	2.420	2.420
INVERT LEVEL	1.553 1.654 1.654	1.025 0.540	0.408 0.350	
DEPTH (m)		1.594	1.970	1.970
DISTANCE (m)	6.92	42.90	13.18	2.57
PIPE SLOPE	1:101	1:100	1:100	1:92
PIPE SIZE	225mm	225mm	225mm	225mm



COVER LEVEL		2.420	2.420
INVERT LEVEL	0.700 0.635 0.625	0.408	
DEPTH (m)		1.795	2.012
DISTANCE (m)	6.48	21.69	
PIPE SLOPE	1:100	1:100	
PIPE SIZE	225mm	225mm	



COVER LEVEL		2.420	2.409
INVERT LEVEL	0.350 0.313 0.283	0.119 0.089 0.058	
DEPTH (m)		2.061	2.351
DISTANCE (m)	3.66	18.36	3.05
PIPE SLOPE	1:99	1:100	1:98
PIPE SIZE	225mm	225mm	225mm

rev	date	description	by	chkd.
		A - Approved		
		B - Approved with comments		
		C - Do not use		

suitability	issue purpose
S2 - INFORMATION	PLANNING

DBFL Consulting Engineers
Civil, Structural & Transportation Engineering
www.dbfl.ie

DUBLIN OFFICE: Ormond House, Upper Ormond Quay, Dublin 7, D07 W704
PHONE: +353 1 453 4300
CORK OFFICE: Phoenix House, Monahan Road, Co. K, T12 H1X7
PHONE: +353 (0) 21 2024538
WATERFORD OFFICE: Suite 10 The Atrium, Maritime Gate, Canada Street, Waterford, X91 W028
PHONE: +353 51 509 500

project ref.

CASTLEFORBES DEVELOPMENT

drawing title
SURFACE WATER DRAINAGE
LONGITUDINAL SECTIONS

client
GLENVEAGH

designed by	author	scale	sheet size
NJF	BS	AS SHOWN	A1
drawing no.	revision		
180159-3120	P01		