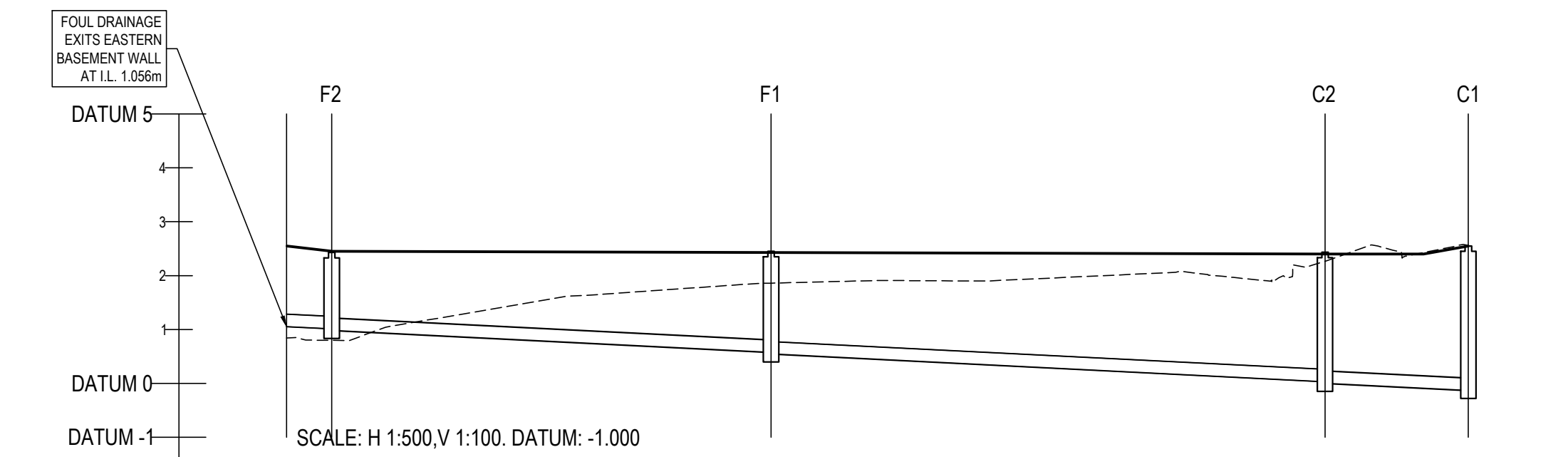


NOTES:

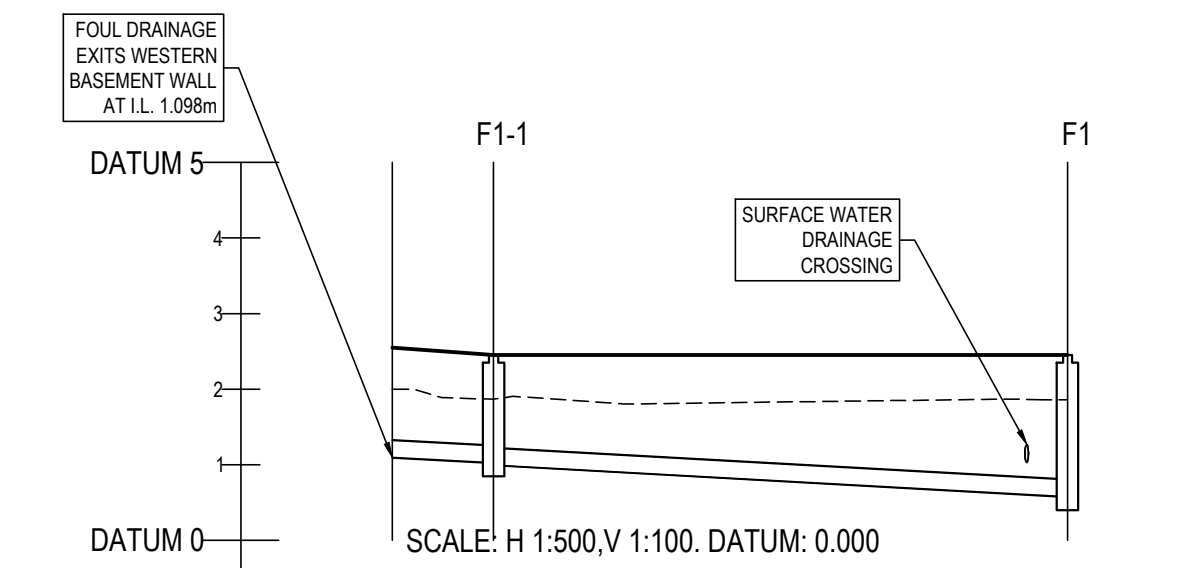
1. ALL DRAWINGS TO BE CHECKED BY CONTRACTOR ON SITE AND ENGINEER INFORMED OF DISCREPANCIES BEFORE WORK COMMENCES
2. ALL LEVELS ARE IN METRES AND ARE RELATED TO ORDNANCE DATUM
3. CONTRACTOR SHALL SATISFY HIMSELF AS TO THE ACCURACY OF PAVEMENT LEVELS ON SITE PRIOR TO COMMENCEMENT OF WORKS ON SITE
4. ALL WORKS TO BE CONSTRUCTED IN ACCORDANCE WITH THE NRA SPECIFICATION FOR ROAD WORKS UNLESS NOTED OTHERWISE
5. THIS DRAWING IS FOR TENDER PURPOSES ONLY
6. MANHOLE COVER LEVELS ARE TO CONFORM WITH FINISHED ROAD AND PATH LEVELS
7. WHERE COVER TO PIPE IS LESS THAN 1200mm (ROAD/PATH/VERGE) OR 900mm (OPEN SPACE) SURROUND PIPE IN MINIMUM 150mm CONCRETE
8. ALL FOUL MANHOLES LOCATED INSIDE DEVELOPMENT SITE BOUNDARY TO BE TYPE J. ALL FOUL MANHOLES LOCATED INSIDE LANDS WITHIN DUBLIN CITY COUNCIL OWNERSHIP TO BE TYPE B

KEY

- EXISTING GROUND PROFILE
- PROPOSED GROUND PROFILE



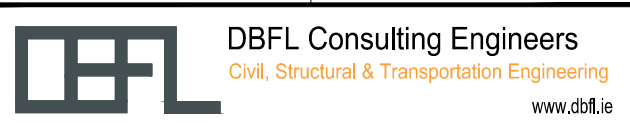
COVER LEVEL		2.429		2.450		2.434		2.450
INVERT LEVEL	1.056 1.016 0.986		0.977 0.947		0.033 0.003		-0.130	
DEPTH (m)	1.444		1.903		2.431		2.680	
DISTANCE (m)	4.19		40.79		51.43		13.30	
PIPE SLOPE	1:102		1:100		1:100		1:100	
PIPE SIZE	225mm		225mm		225mm		225mm	



COVER LEVEL		2.450		2.450
INVERT LEVEL	1.098 1.026 0.996		0.977	
DEPTH (m)	1.454		1.903	
DISTANCE (m)	6.70		37.96	
PIPE SLOPE	1:93		1:91	
PIPE SIZE	225mm		225mm	

P01	02-12-20	PLANNING	BS	NJF
rev	date	description	by	chkd.
		A - Approved		
		B - Approved with comments		
		C - Do not use		

suitability	issue purpose
S2 - INFORMATION	PLANNING



DUBLIN OFFICE: Ormond House, Upper Ormond Quay, Dublin 7, D07 W704  
PHONE +353 1 404 4000  
CORK OFFICE: Phoenix House, Monahan Road, Cork, T12 H1XV  
PHONE +353 (0) 21 2054538  
WATERFORD OFFICE: Suite 10 The Arkun, Maritime Gate, Cascade Street, Waterford, X91 W028  
PHONE +353 51 309 500

project ref.  
**CASTLEFORBES DEVELOPMENT**

drawing title  
**FOUL DRAINAGE LONGITUDINAL SECTIONS**

client  
**GLENVEAGH**

designed by	author	scale	sheet size
NJF	BS	AS SHOWN	A1
drawing no.		revision	
	180159-3130	P01	