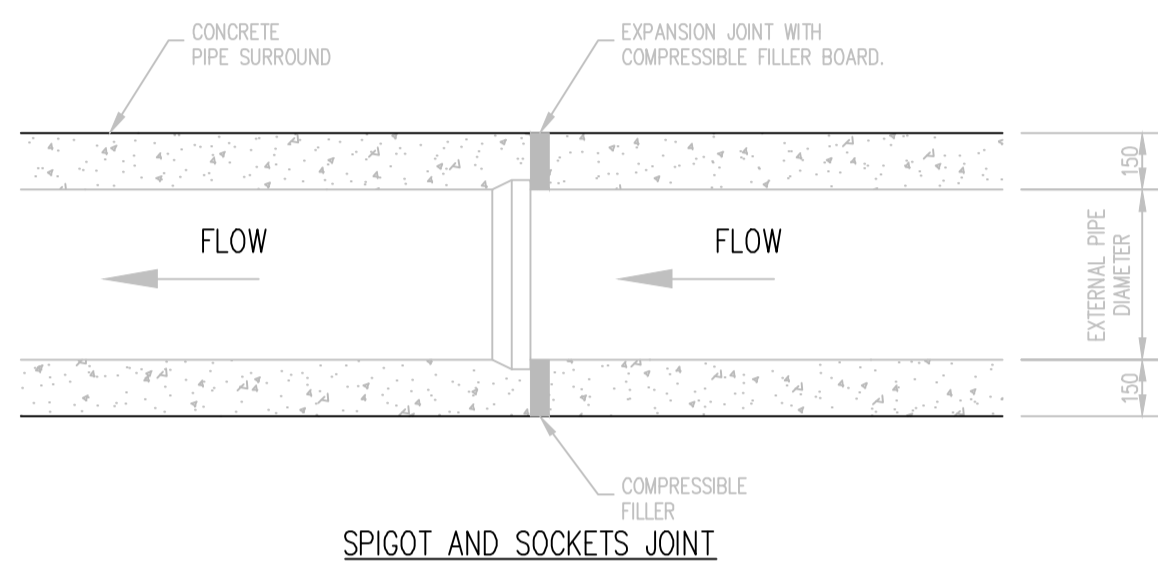
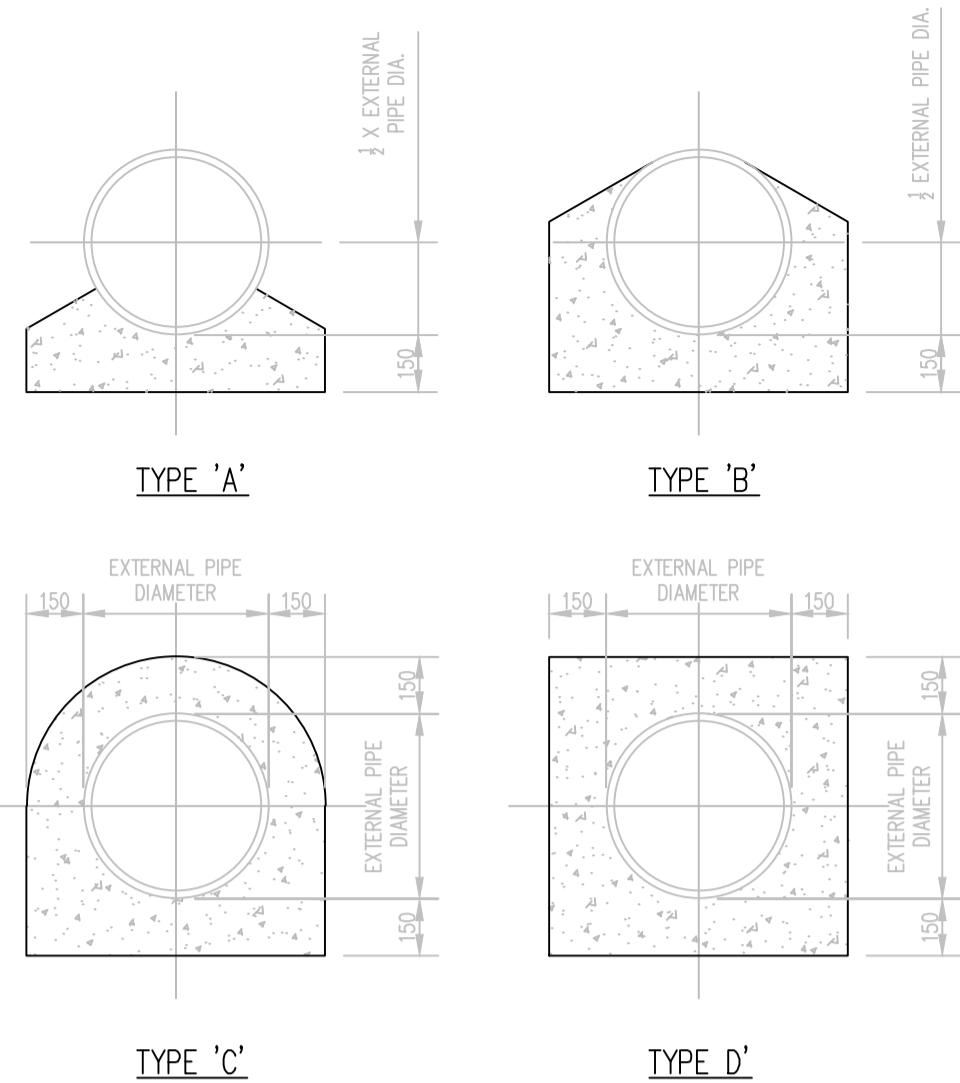


DO NOT SCALE DRAWING

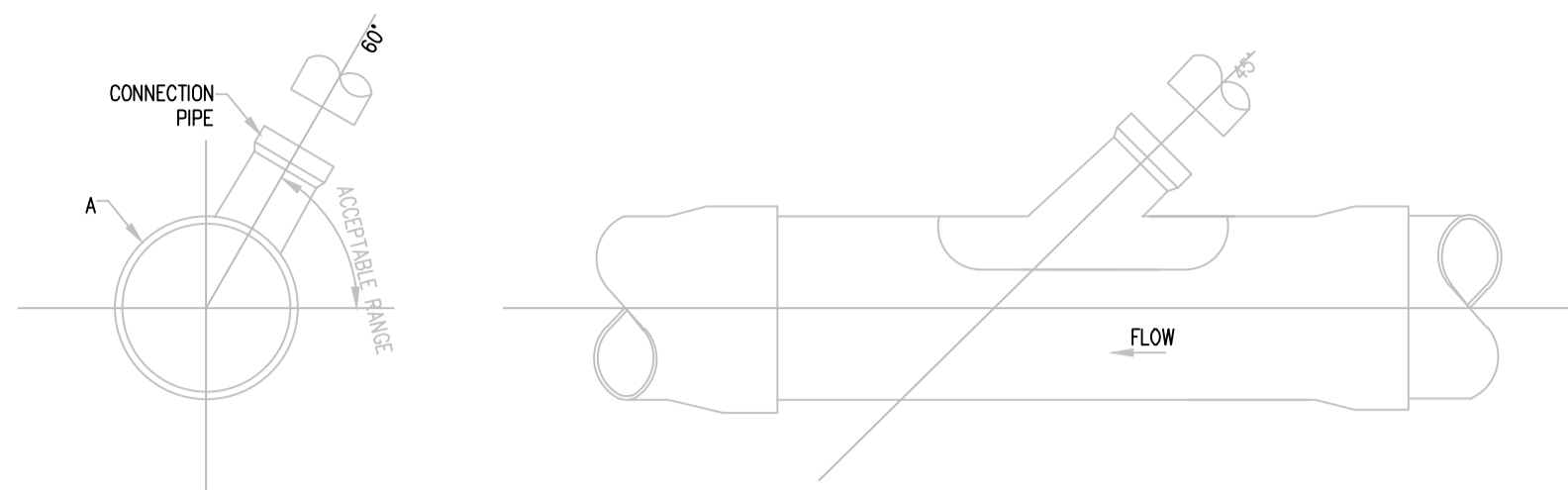
NOTES

1. ALL DIMENSIONS ARE IN MILLIMETERS (mm) UNLESS NOTED OTHERWISE.
2. CONCRETE PIPELINE BEDS AND HAUNCHES MAY BE REQUIRED TO ADDRESS MINIMUM COVER SITUATIONS. AND SHALL BE SUBJECT TO SUBMISSION AND ASSESSMENT BY IRISH WATER BEFORE ADVANCING WITH THE WORKS.
3. CONCRETE PIPE BEDS AND HAUNCHES SHALL HAVE A MINIMUM THICKNESS OF 150MM WITH AN ABSOLUTE MINIMUM DEPTH OF COVER ABOVE THE EXTERNAL CROWN OF THE PIPE OF 750MM.
4. CONCRETE TO BE IN ACCORDANCE WITH IS EN 206 AND TO BE CLASSED C16/20.
5. THE HAUNCHES AND SURROUNDINGS TO BE FORMED USING FORM WORK TO PROVIDE A ROUGH CAST FINISH.
6. EXPANSION JOINTS IN THE CONCRETE SHALL BE PROVIDED AT ALL PIPE JOINTS TO ALLOW FOR PIPE FLEXIBILITY. COMPRESSIBILITY FILLER BOARD TO BE IN ACCORDANCE WITH BS EN 622-1 AND BS EN 622-4, AND TO BE 18mm THICK.
7. POLYETHYLENE PIPES SHALL BE WRAPPED IN PLASTIC SHEETING HAVING A COMPLETION WITH ACCORDANCE WITH BS6076 BEFORE BEING CAST INTO CONCRETE.
8. BITUMINOUS MATERIAL SHALL NOT BE PUT IN CONTACT WITH PE OR PVC PIPES.



NOTES:

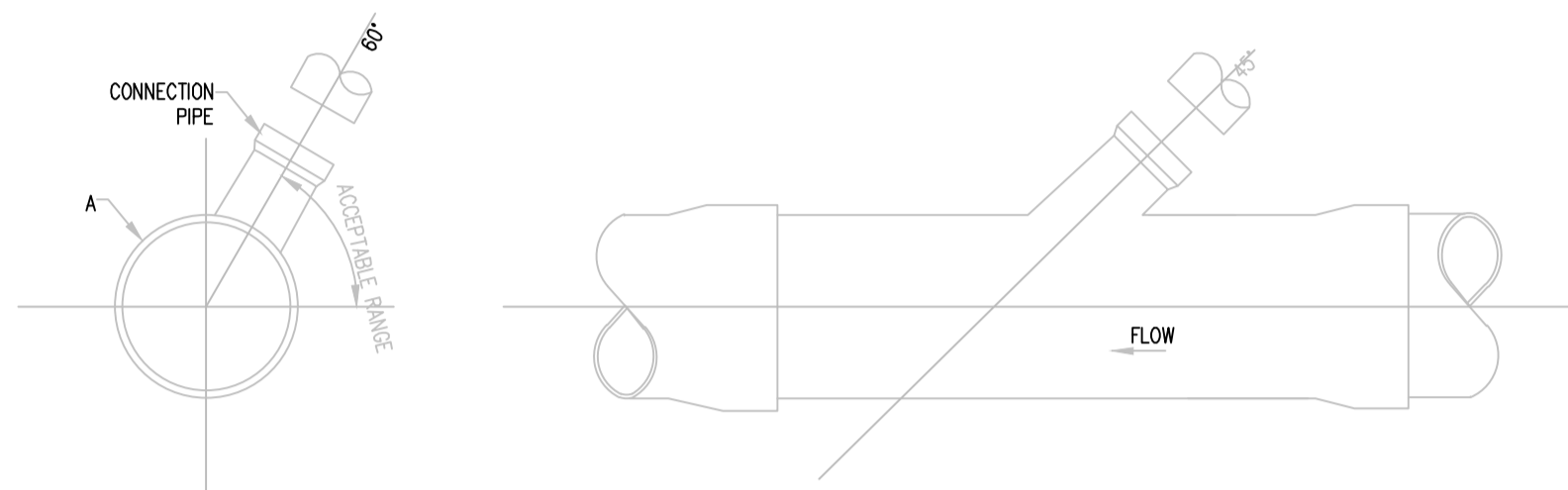
1. ALL DIMENSIONS ARE IN MILLIMETERS (mm) UNLESS NOTED OTHERWISE.
2. AS FAR AS PRACTICABLE, JUNCTION AND SERVICE CONNECTION SHALL BE BUILT IN FOR ALL PLANNED USERS WHEN THE SEWER IS BEING CONSTRUCTED. WHETHER IT IS NECESSARY TO MAKE A POST-CONSTRUCTION CONNECTION THE DEVELOPER SHALL BRING THE SEWER TO THE INSPECTION CHAMBER, INSTALL THE INSPECTION CHAMBER AND SEAL THE UPSTREAM END UNTIL THE CONNECTION IS REQUIRED.
3. THE VERTICAL ANGLE BETWEEN THE SERVICE CONNECTING PIPE AND THE HORIZONTAL SHALL BE GREATER THAN 0° AND NOT MORE THAN 60°.
4. WHERE THE CONNECTION IS BEING MADE TO A SEWER WITH A NORMAL INTERNAL DIAMETER OF 300mm DIAMETER OF LESS, CONNECTIONS SHALL BE MADE USING 45° ANGLE JUNCTION.
5. WHERE THE CONNECTION IS BEING MADE TO A SEWER WITH NORMAL INTERNAL DIAMETER GREATER THAN 300mm:
 - A) IF THE DIAMETER OF THE CONNECTION PIPE IS GREATER THAN HALF THE DIAMETER OF THE SEWER, AN ACCESS MANHOLE SHALL BE CONSTRUCTED TO FORM THE CONNECTION POINT; OR
 - B) IF THE DIAMETER OF THE CONNECTION PIPE IS LESS THAN OR EQUAL TO HALF DIAMETER OF THE SEWER, THAN THE CONNECTION SHALL BE MADE USING A PREFORMED SADDLE FITTING WITH A SLOW BEND BETWEEN THE SADDLE AND THE CONNECTION SEWER/DRAIN.
6. CONNECTIONS MADE WITH THE SADDLE FITTINGS SHALL BE MADE BY CUTTING AND SAFELY REMOVING A CORE FROM THE PIPE AND JOINING THE SADDLE FITTING TO THE PIPE IN ACCORDANCE WITH THE MANUFACTURER'S INSTRUCTIONS TO ENSURE A WATER TIGHT JOINT. THE CONNECTING PIPE SHALL NOT PROTRUDE INTO THE SEWERS.



CROSS-SECTIONAL VIEW OF SEWER

VIEW IN DIRECTION OF ARROW A

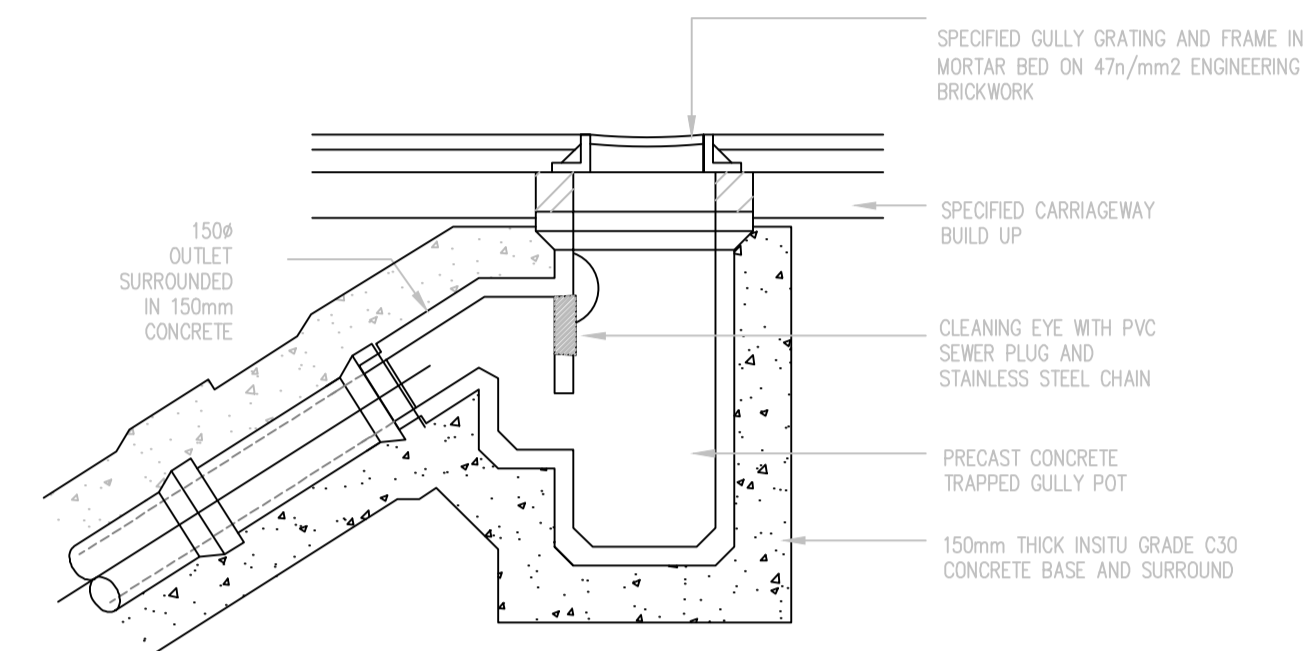
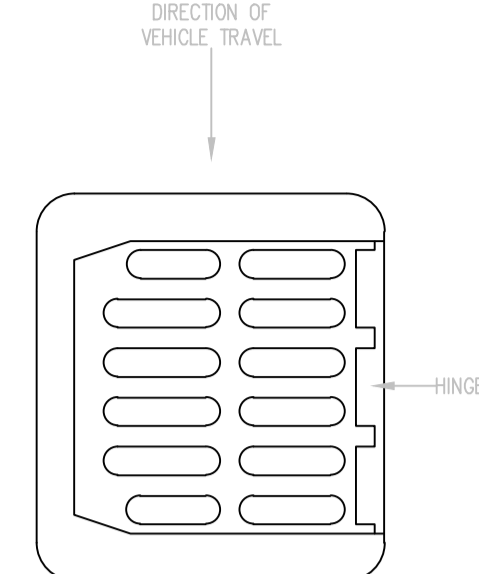
APPROVED 45° SADDLE CONNECTION



CROSS-SECTIONAL VIEW OF SEWER

VIEW IN DIRECTION OF ARROW A

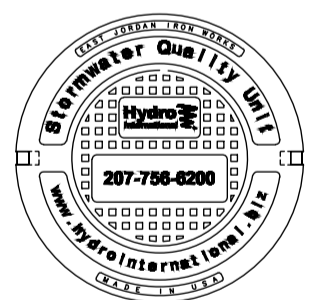
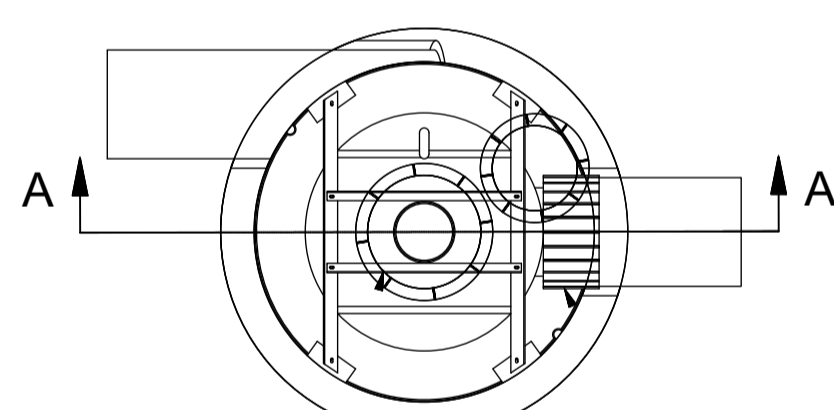
APPROVED 45° SADDLE CONNECTION



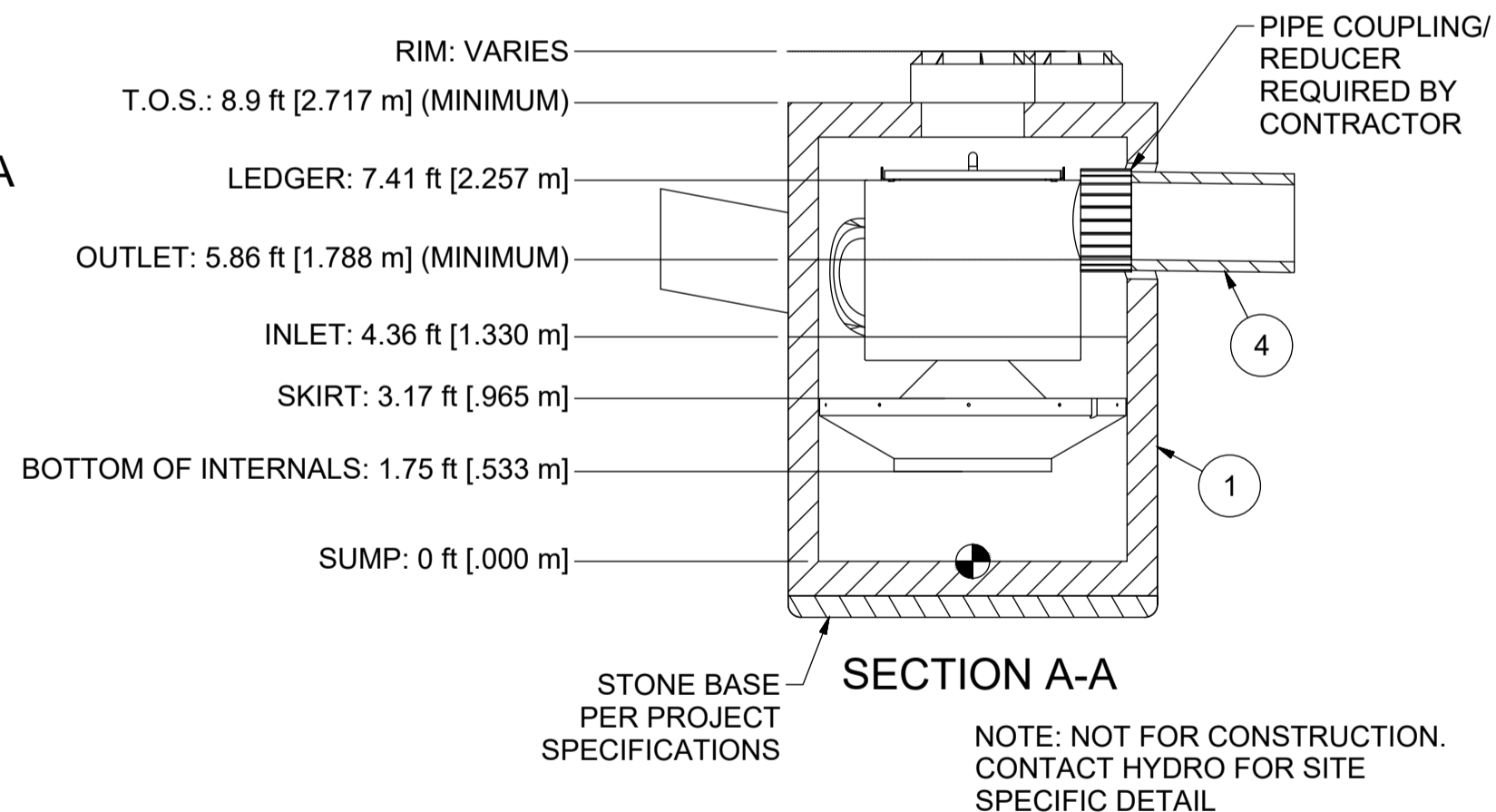
3 PRECAST CONCRETE TRAPPED GULLY POT NTS

1 CONCRETE BED, HAUNCH AND SURROUND TO WASTEWATER PIPES SCALE 1:20

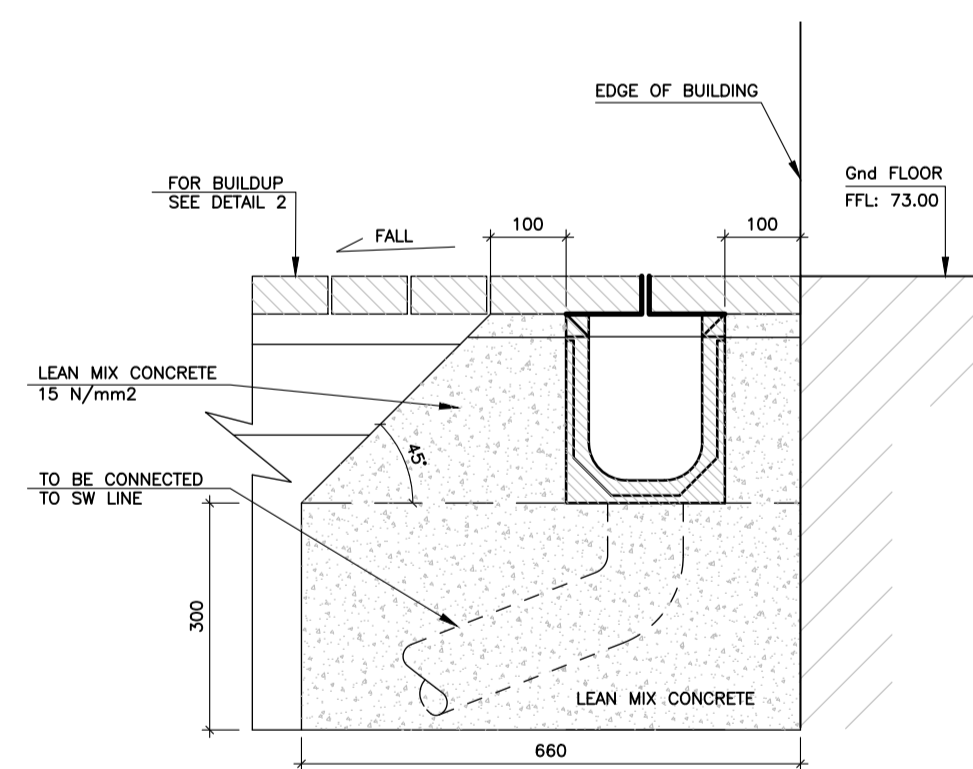
2 TYPICAL SEWER/ SERVICE PIPE SCALE 1:20



HYDRO FRAME AND COVER (INCLUDED) GRADE RINGS BY OTHERS AS REQUIRED



4 DOWNSTREAM DEFENDER BY HYDRO INTERNATIONAL NTS



5 TYPICAL 'SLOTTED' ACO DRAIN SYSTEM SCALE 1:10

PLANNING

P6	ISSUED FOR PANNING	27.11.20
P2	ISSUED TO DCC DRAINAGE DEPT.	04.02.20
Rev	Revision details	Date

JJ CAMPBELL & ASSOCIATES
CONSULTING CIVIL & STRUCTURAL ENGINEERS
F1 Nutgrove Office Park, Dublin 14
tel. 01 2980538, e-mail info@jjc.ie, www.jjc.ie



Project Name
PHIBSBOROUGH SHOPPING CENTRE

Drawing Title
DRAINAGE DETAILS

Client
P S C LTD.
Architect
DONNELLY TURPIN ARCHITECTS

Dwg Created : 10.01.20 Original Drawing Size : A1
Scale : AS NOTED Copyright © JJ Campbell & Assoc

Project No.
1920-05
Drawing No.
C003