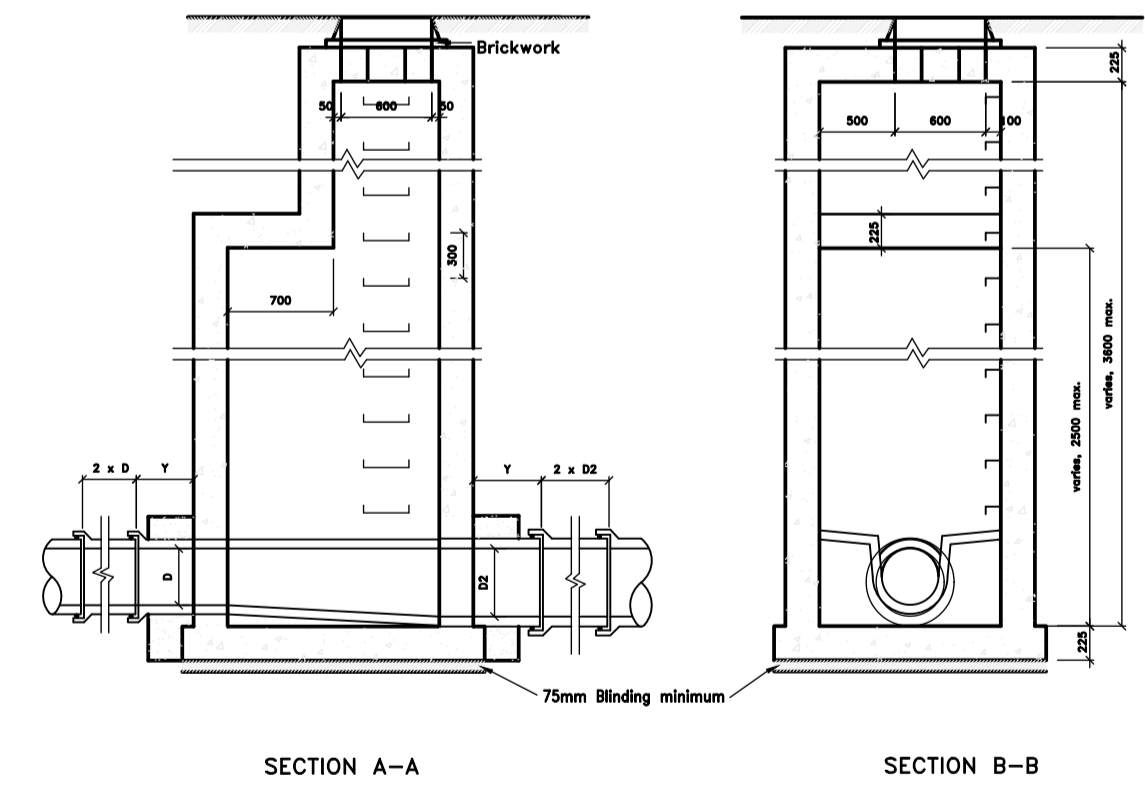
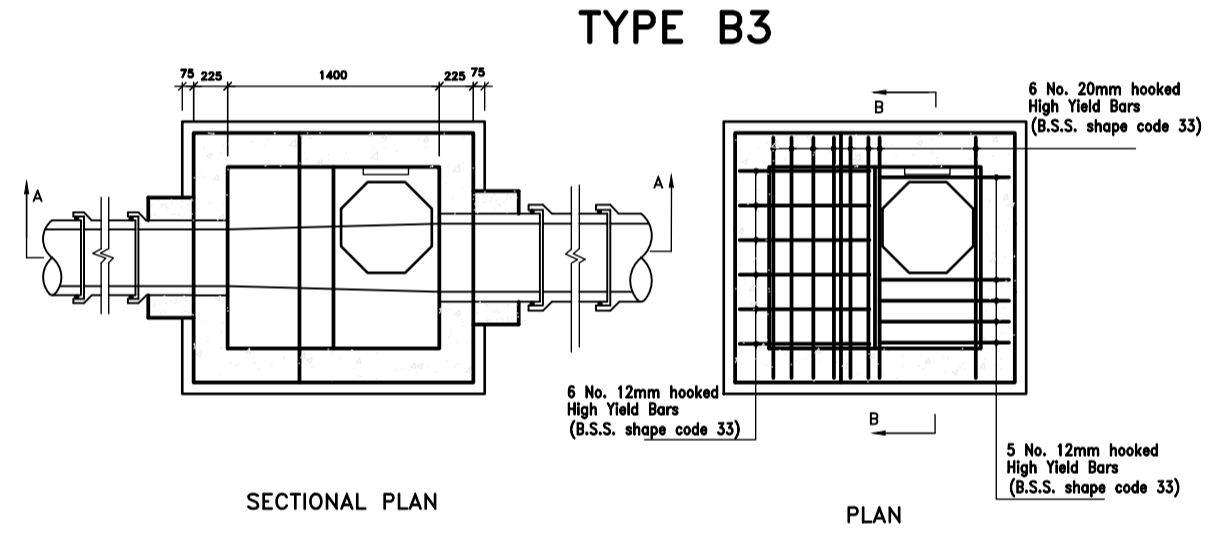
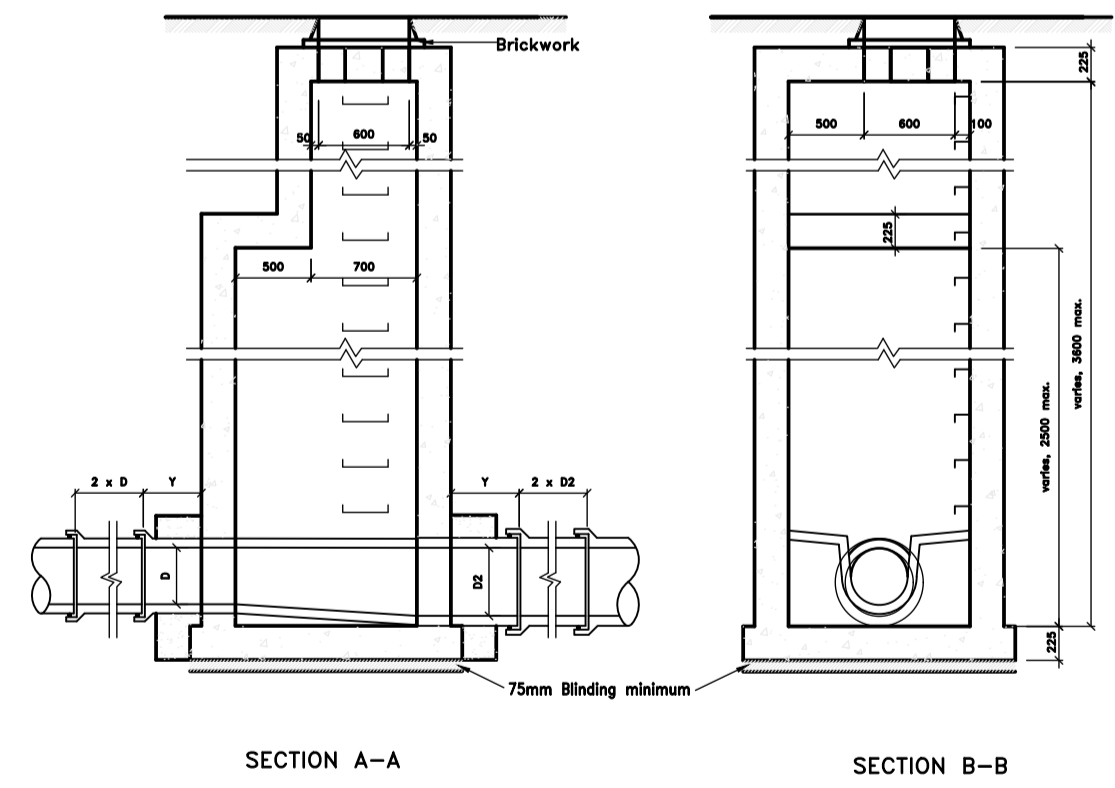
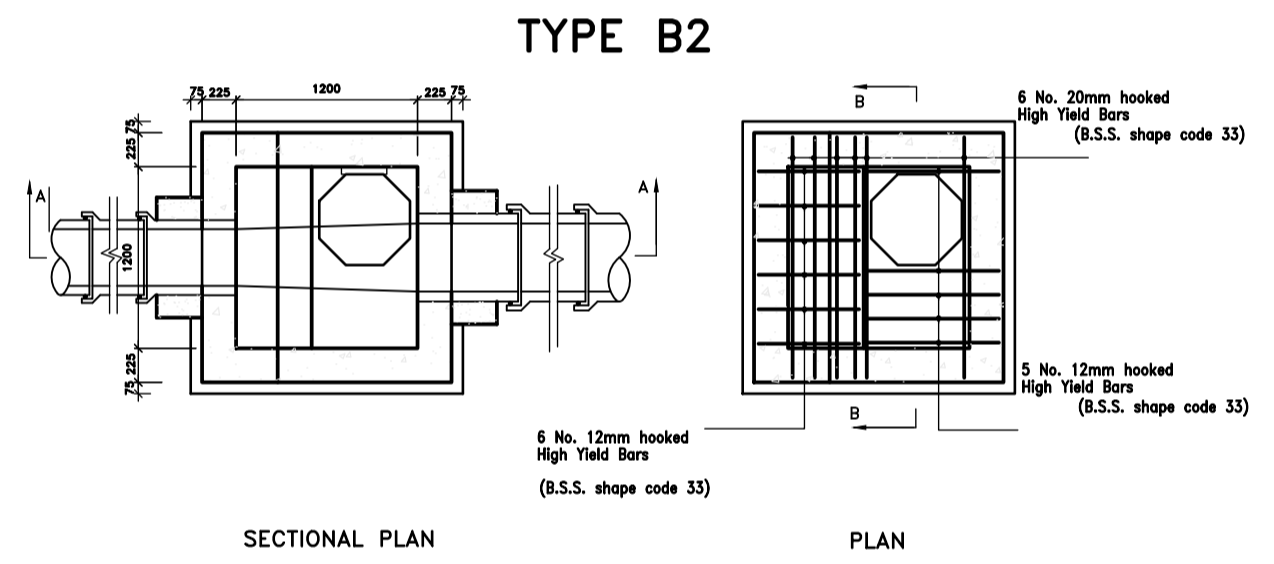
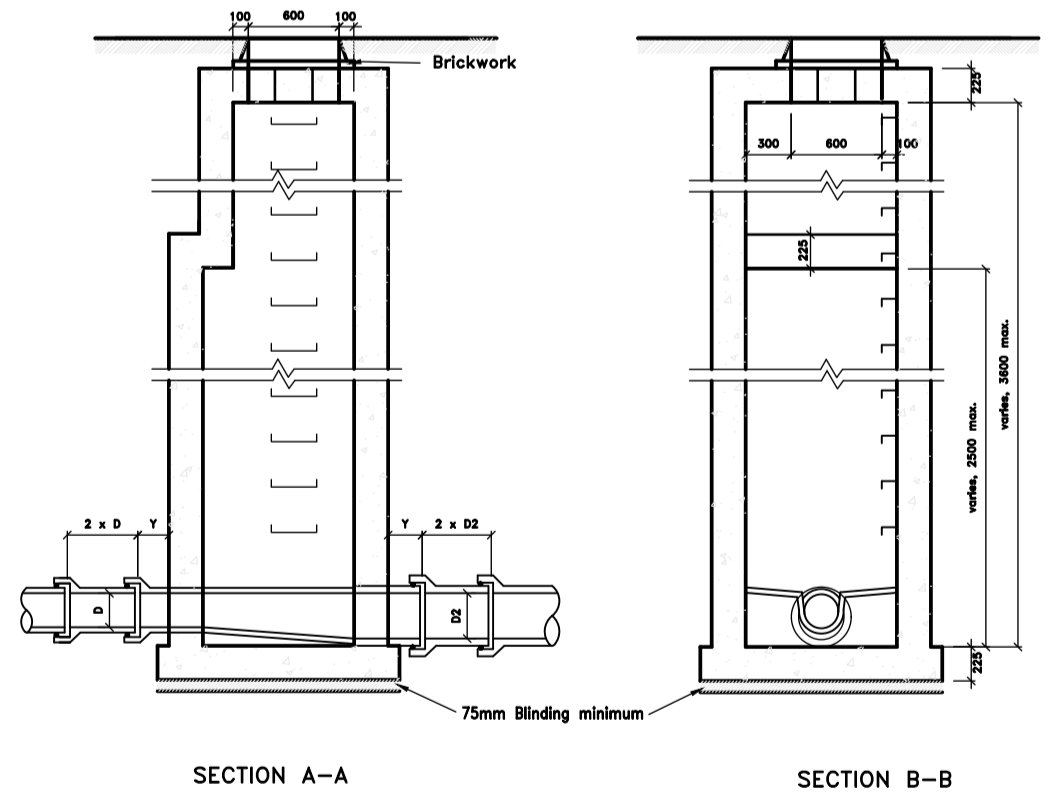
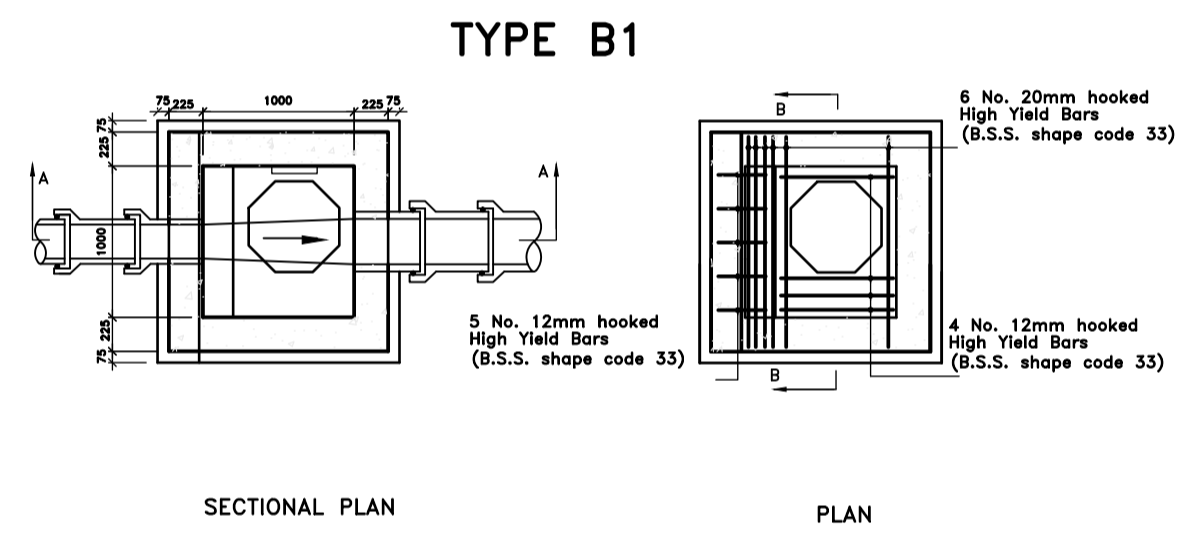
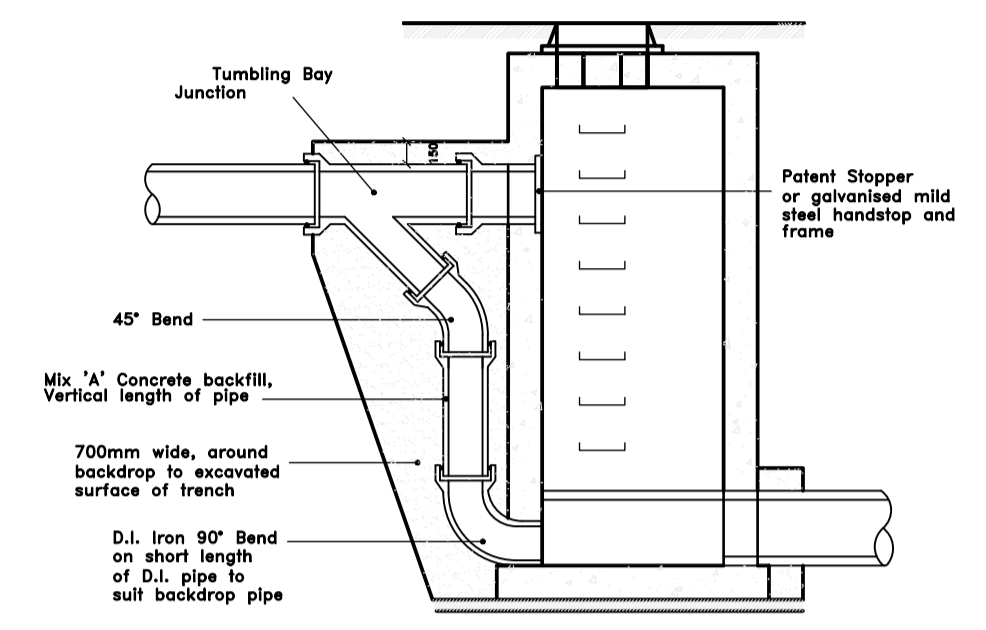


BACKDROP DETAIL UP TO 375mm DIA.
(To be read in conjunction with standard manhole types)

100mm	100mm
150	150
225	225
300	225
375	225



NOTES :

- Manhole covers shall have 600mm clear ope and shall comply with Clause 9.8 & 15 of the Specification
- Step rungs shall be galvanised mild steel, spaced at 300mm intervals
- Concrete in walls, roof, floor and benching shall be to Mix 'B'
- Concrete in blinding to be Mix 'A' to a minimum depth of 75mm
- Channels and benching to comply with Clause 9.2 of the Specification
- Short lengths of pipes projecting not more than 450mm beyond the external face of the manhole wall shall be built into manhole walls and surrounded with a 150mm thick surround of Mix 'B' concrete 300mm long
- Concrete to walls, roof, floor and benching to be Mix 'W' if manhole invert level is less than 0.5m A.O.D. (Poolbeg)
- The cover frame shall be bedded on two to four courses as necessary of engineering brickwork and haunches in Class M1 mortar.

DIAMETER OF OUTLET PIPE (D2)	BEND OR JUNCTION (If any)	DEPTH TO INVERT (M)	MANHOLE TYPE
Up To 300mm	All	Up To 1.5m	A1
		1.5 to 4.0m	B1
		Exceeding 4.0m	C1
375 to 525mm	Up to 45	Up To 1.5m	A2
		1.5 to 4.0m	B2
		Exceeding 4.0m	C2
	45 to 90 or Manhole Junction	Up To 1.5m	A3
		1.5 to 4.0m	B3
		Exceeding 4.0m	C3

Type C1 is similar to B1 except that walls & chamber roof are to be 300mm thick

Type C2 is similar to B2 except that walls & chamber roof are to be 300mm thick

Type C3 is similar to B3 except that walls & chamber roof are to be 300mm thick

PLANNING

P6	ISSUED FOR PANNING	27.11.20
P2	ISSUED TO DCC DRAINAGE DEPT.	04.02.20
Rev	Revision details	Date

JJ CAMPBELL & ASSOCIATES
CONSULTING CIVIL & STRUCTURAL ENGINEERS
F1 Nutgrove Office Park, Dublin 14
tel. 01 2980538, e-mail info@jjc.ie, www.jjc.ie



Project Name
PHIBSBOROUGH SHOPPING CENTRE

Drawing Title
CONCRETE MH DETAILS

Client
P S C LTD.
Architect
DONNELLY TURPIN ARCHITECTS

Dwg Created : 10.01.20 Original Drawing Size : A1
Scale : AS NOTED Copyright © JJ Campbell & Assoc
Project No. 1920-05 Drawing No. C004