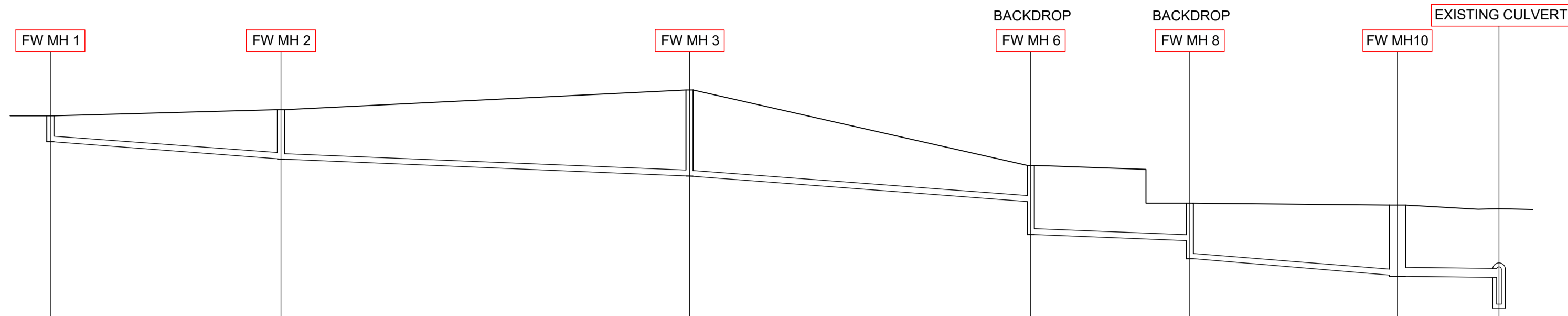
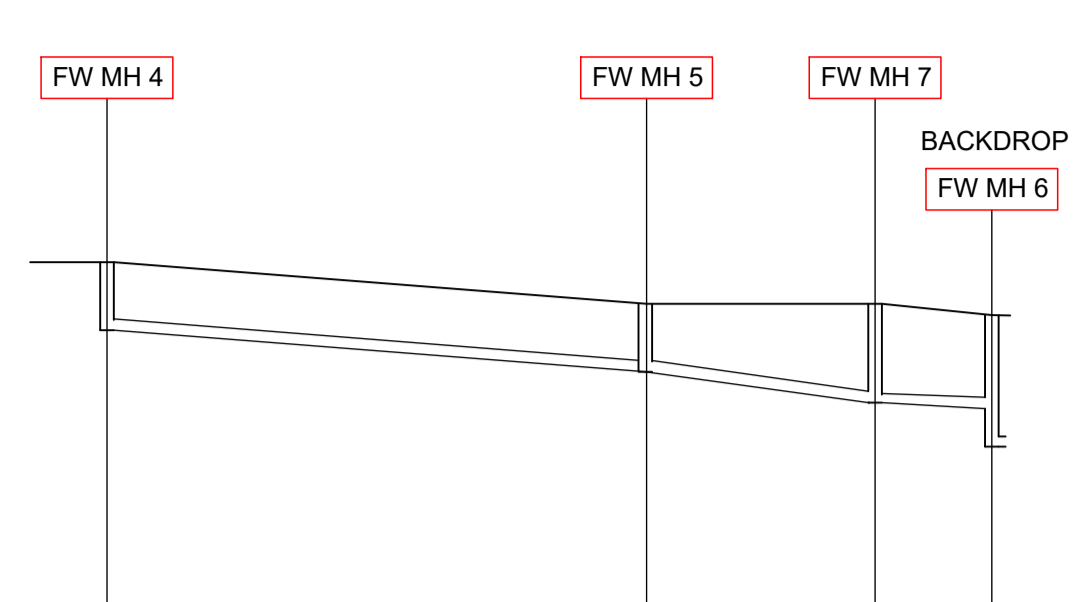


DO NOT SCALE DRAWING



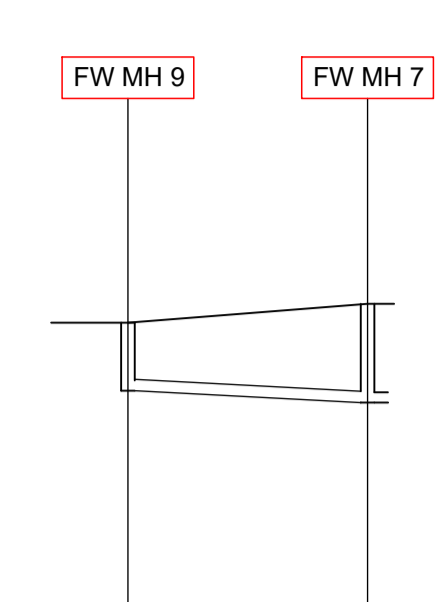
SIZE (mm)	150	150	150	150	150	225	1010x640
MATERIAL	uPVC	uPVC	uPVC	DIRECTIONAL DRILLING	uPVC	CONCRETE	
SLOPE (1:X)	1:153	1:152	1:66	1:100	1:54	1:200	
COVER LEVEL (m)	28.850	29.000	29.500	27.600	26.650	26.600	26.510
INVERT LEVEL (m)	27.950	27.660	27.760	27.330	27.330	26.680	25.860
LENGTH (m)	29.060	51.520	42.970	16.040	26.170	12.700	

1
008 LONGITUDINAL SECTION - FOUL WATER SEWER
SCALE: H 1:500, V 1:100



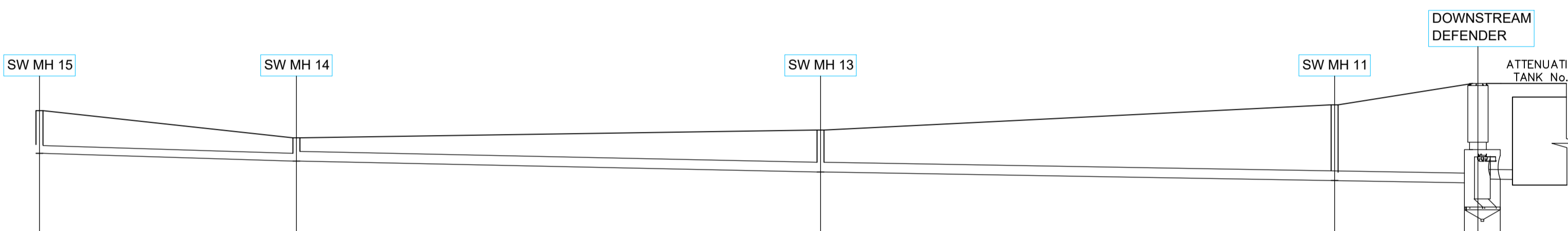
SIZE (mm)	150	150	150
MATERIAL	uPVC	uPVC	uPVC
SLOPE (1:X)	1:55	1:37	1:100
COVER LEVEL (m)	28.300	27.750	27.750
INVERT LEVEL (m)	27.400	26.850	26.443
LENGTH (m)	35.680	15.100	7.670

2
008 LONGITUDINAL SECTION - FOUL WATER SEWER
SCALE: H 1:500, V 1:100



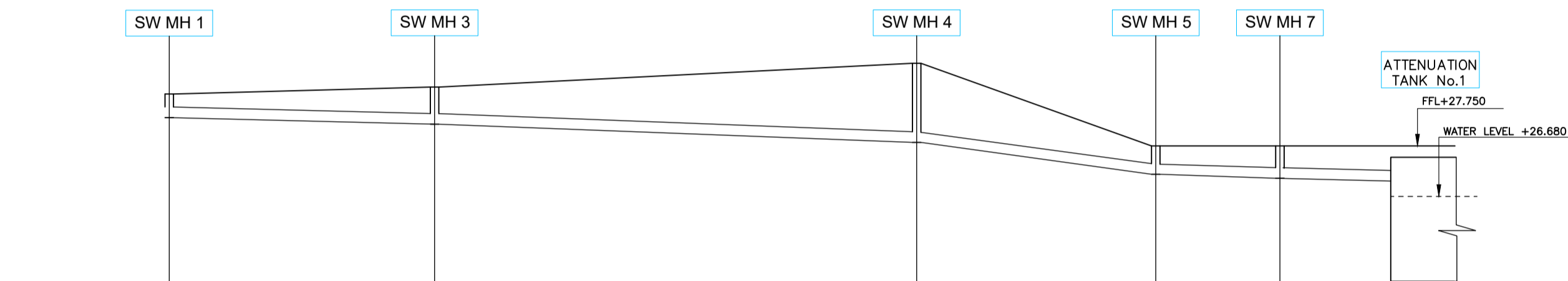
SIZE (mm)	150	150
MATERIAL	uPVC	uPVC
SLOPE (1:X)	1:100	1:100
COVER LEVEL (m)	27.500	27.500
INVERT LEVEL (m)	26.600	26.443
LENGTH (m)	15.730	15.730

3
008 LONGITUDINAL SECTION - FOUL WATER SEWER
SCALE: H 1:500, V 1:100



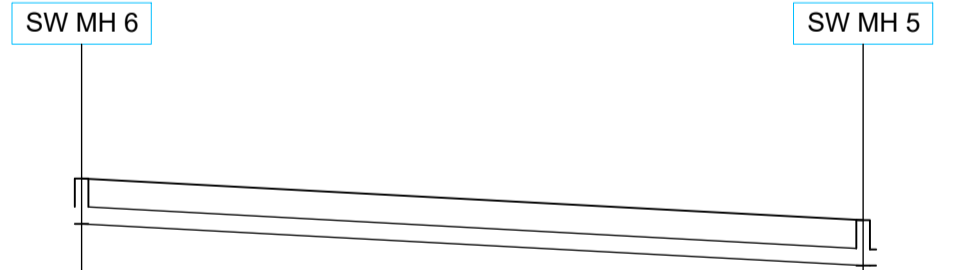
SIZE (mm)	200	250	250	250	250
MATERIAL	uPVC	uPVC	uPVC	uPVC	uPVC
SLOPE (1:X)	1:164	1:300	1:300	1:175	1:200
COVER LEVEL (m)	26.800	26.100	26.300	26.950	27.500
INVERT LEVEL (m)	25.700	25.500	25.275	25.055	24.950
LENGTH (m)	32.700	67.450	66.190	18.440	3.000

4
008 LONGITUDINAL SECTION - STORM WATER SEWER
SCALE: H 1:500, V 1:100



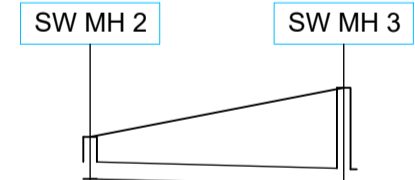
SIZE (mm)	225	225	225	225	225
MATERIAL	uPVC	uPVC	uPVC	uPVC	uPVC
SLOPE (1:X)	1:200	1:133	1:38	1:155	1:200
COVER LEVEL (m)	28.850	29.000	29.500	27.750	27.750
INVERT LEVEL (m)	28.350	28.210	28.210	27.825	27.065
LENGTH (m)	28.120	51.100	25.360	13.150	11.730

5
008 LONGITUDINAL SECTION - STORM WATER SEWER
SCALE: H 1:500, V 1:100



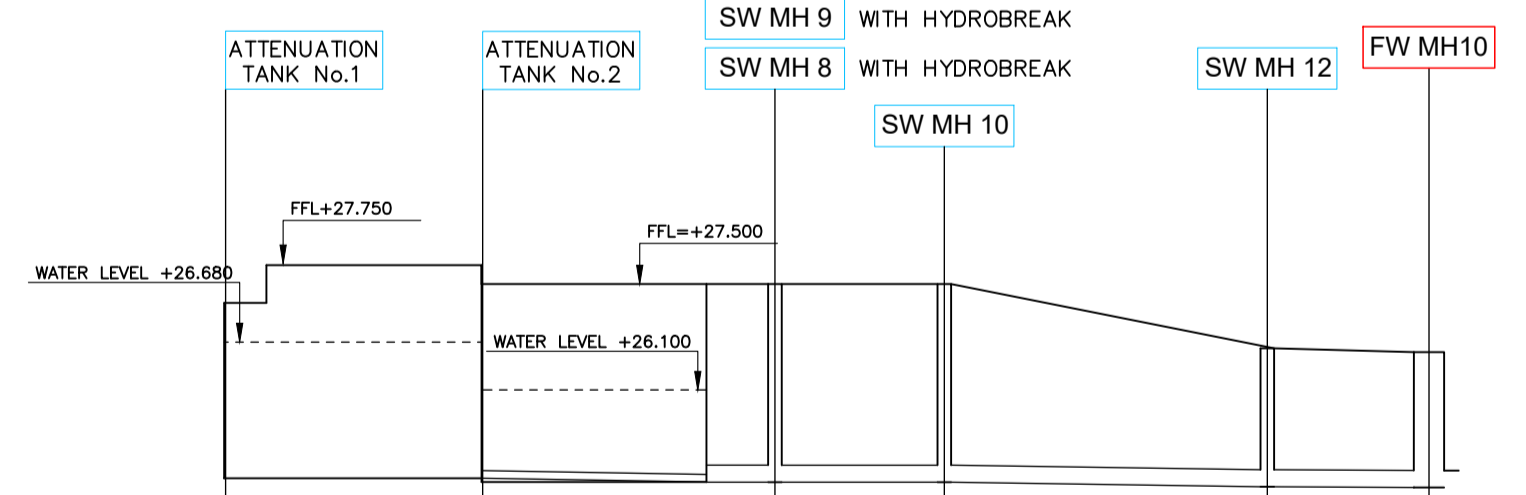
SIZE (mm)	225	
MATERIAL	uPVC	
SLOPE (1:X)	1:94	
COVER LEVEL (m)	28.300	27.750
INVERT LEVEL (m)	27.700	27.150
LENGTH (m)	51.690	

6
008 LONGITUDINAL SECTION - STORM WATER SEWER
SCALE: H 1:500, V 1:100



SIZE (mm)	150	
MATERIAL	uPVC	
SLOPE (1:X)	1:197	
COVER LEVEL (m)	28.850	29.500
INVERT LEVEL (m)	28.295	28.210
LENGTH (m)	16.700	

7
008 LONGITUDINAL SECTION - STORM WATER SEWER
SCALE: H 1:500, V 1:100



SIZE (mm)	200	225	225	225
MATERIAL	uPVC	uPVC	uPVC	uPVC
SLOPE (1:X)	1:200	1:300	1:300	1:200
COVER LEVEL (m)	27.750	27.500	27.500	26.650
INVERT LEVEL (m)	24.890	24.890	27.890	27.820
LENGTH (m)	19.000	12.000	2.500	21.060

8
008 LONGITUDINAL SECTION - STORM WATER SEWER
SCALE: H 1:500, V 1:100

PLANNING

P6	ISSUED FOR PLANNING	27.11.20
P5	ISSUED TO IRISH WATER FOR APPROVAL	22.05.20
P4	ISSUED TO IRISH WATER FOR APPROVAL	01.05.20
Rev	Revision details	Date

JJ CAMPBELL & ASSOCIATES CONSULTING CIVIL & STRUCTURAL ENGINEERS F1 Nutgrove Office Park, Dublin 14 tel. 01 2980538, e-mail info@jjc.ie, www.jjc.ie	IONet INTERNATIONAL CERTIFICATION NETWORK	MEMBER OF ACEI	Client P S C LTD.
			Architect DONNELLY TURPIN ARCHITECTS
Project Name PHIBSBOROUGH SHOPPING CENTRE	Drawing Title FOUL AND STORM WATER LONGITUDINAL SECTIONS	Project No. 1920-05	Original Drawing Size : A1 Copyright © JJ Campbell & Assoc Drawing No. C008