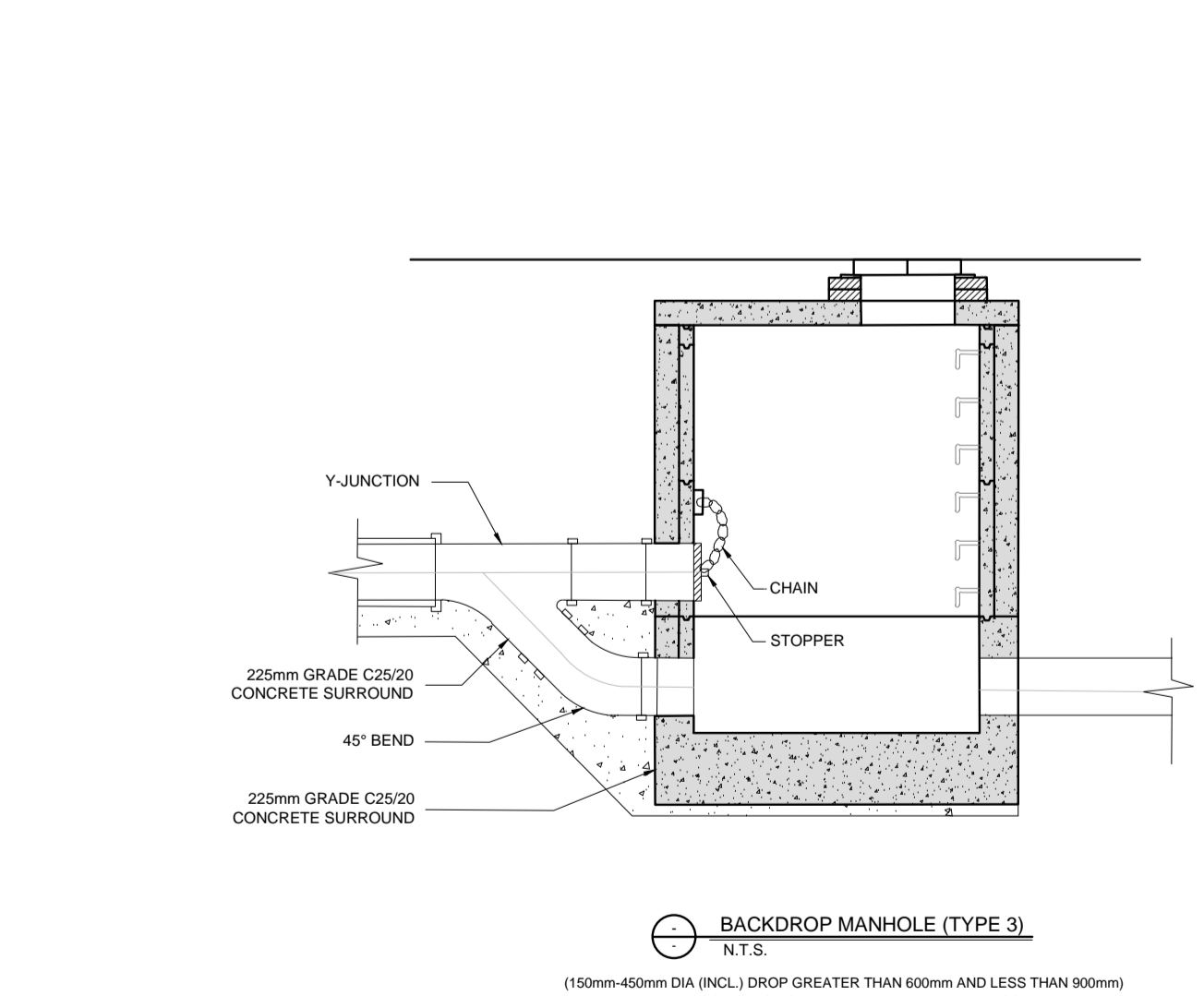
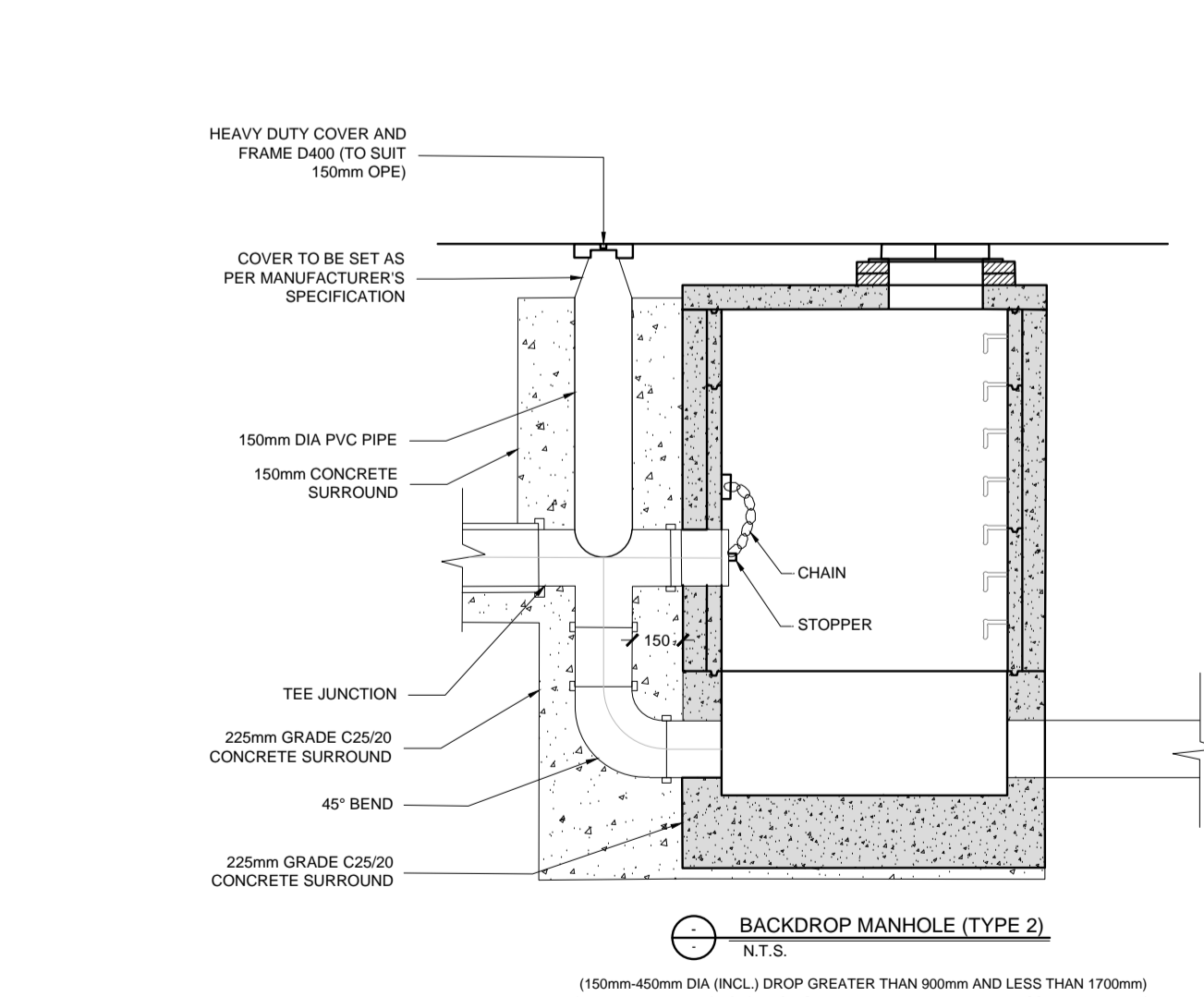
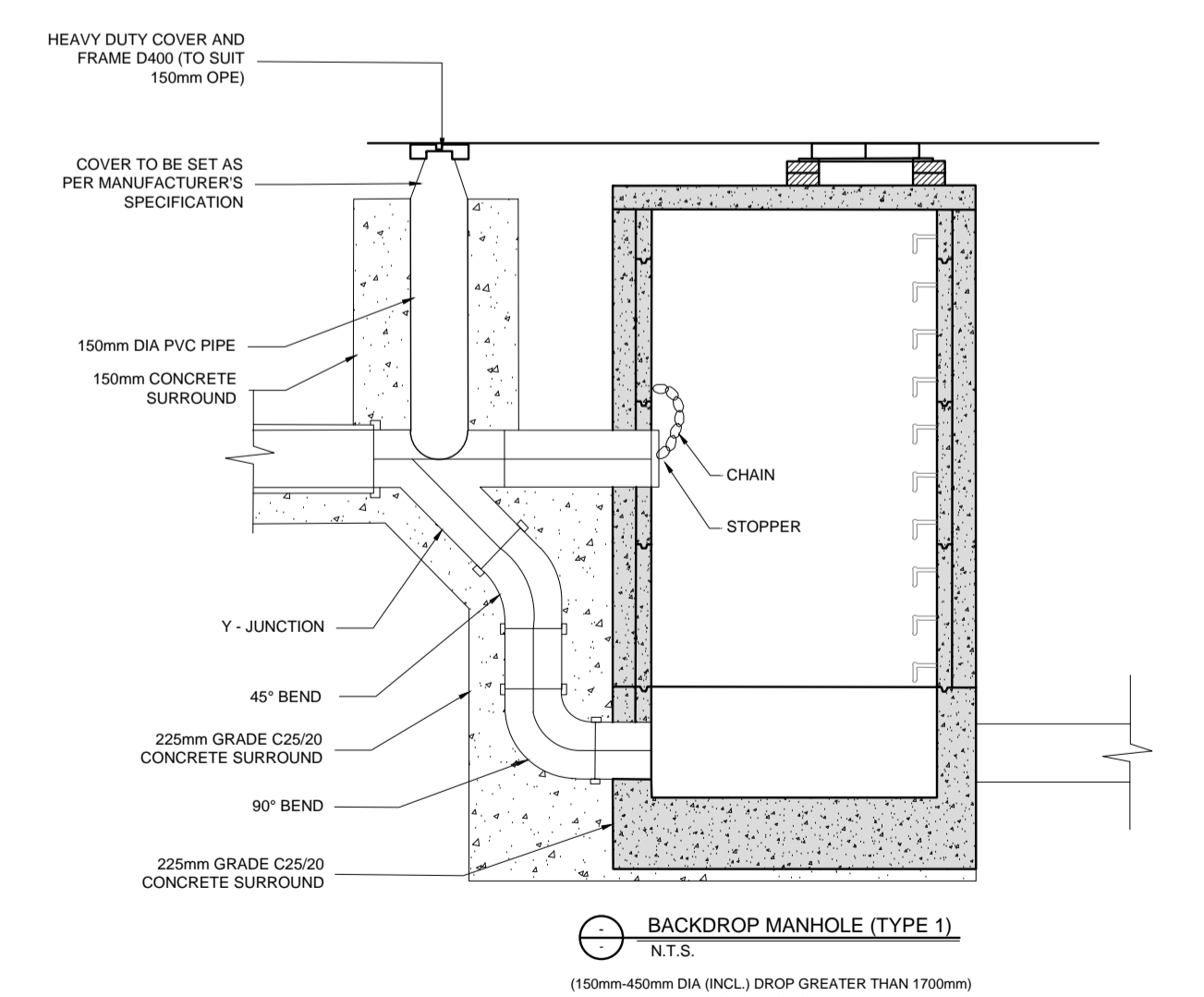
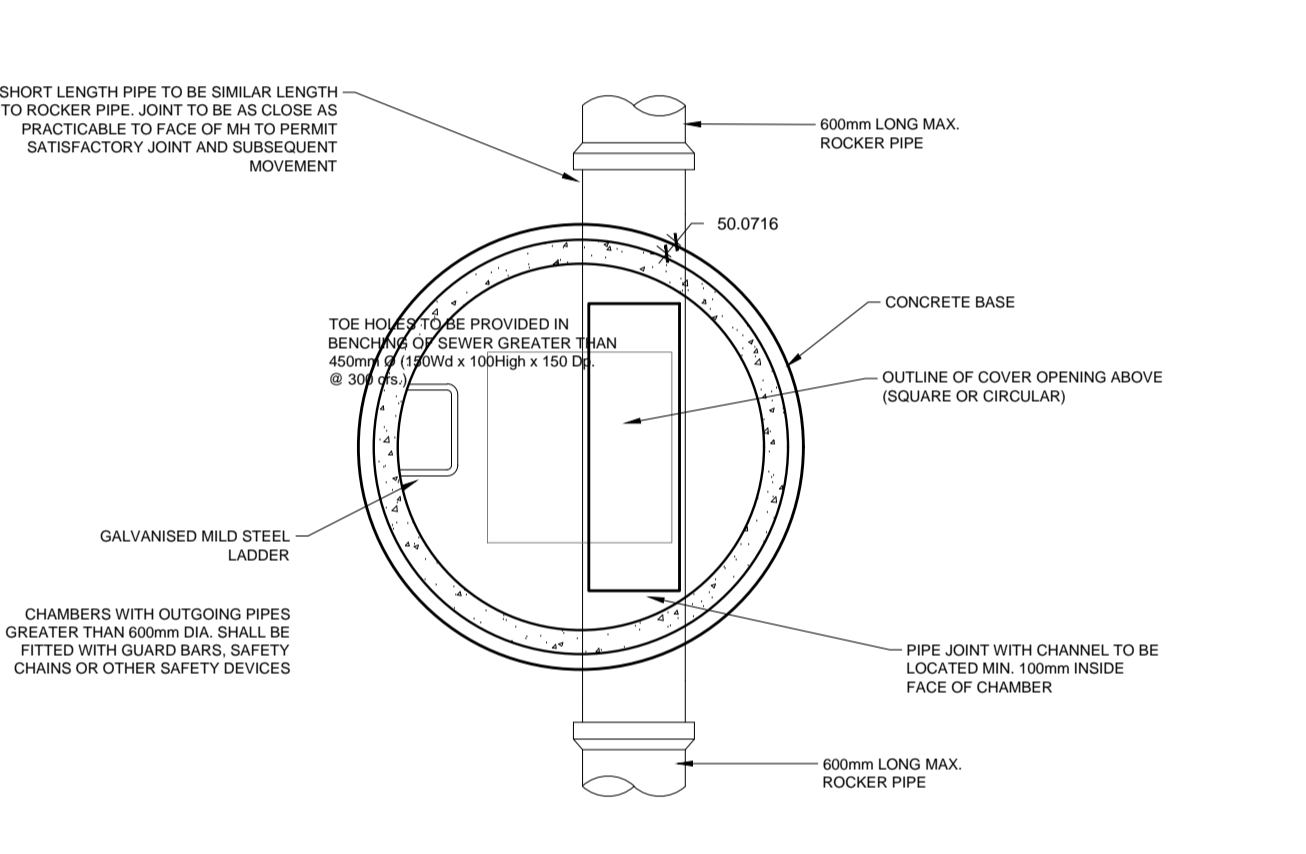
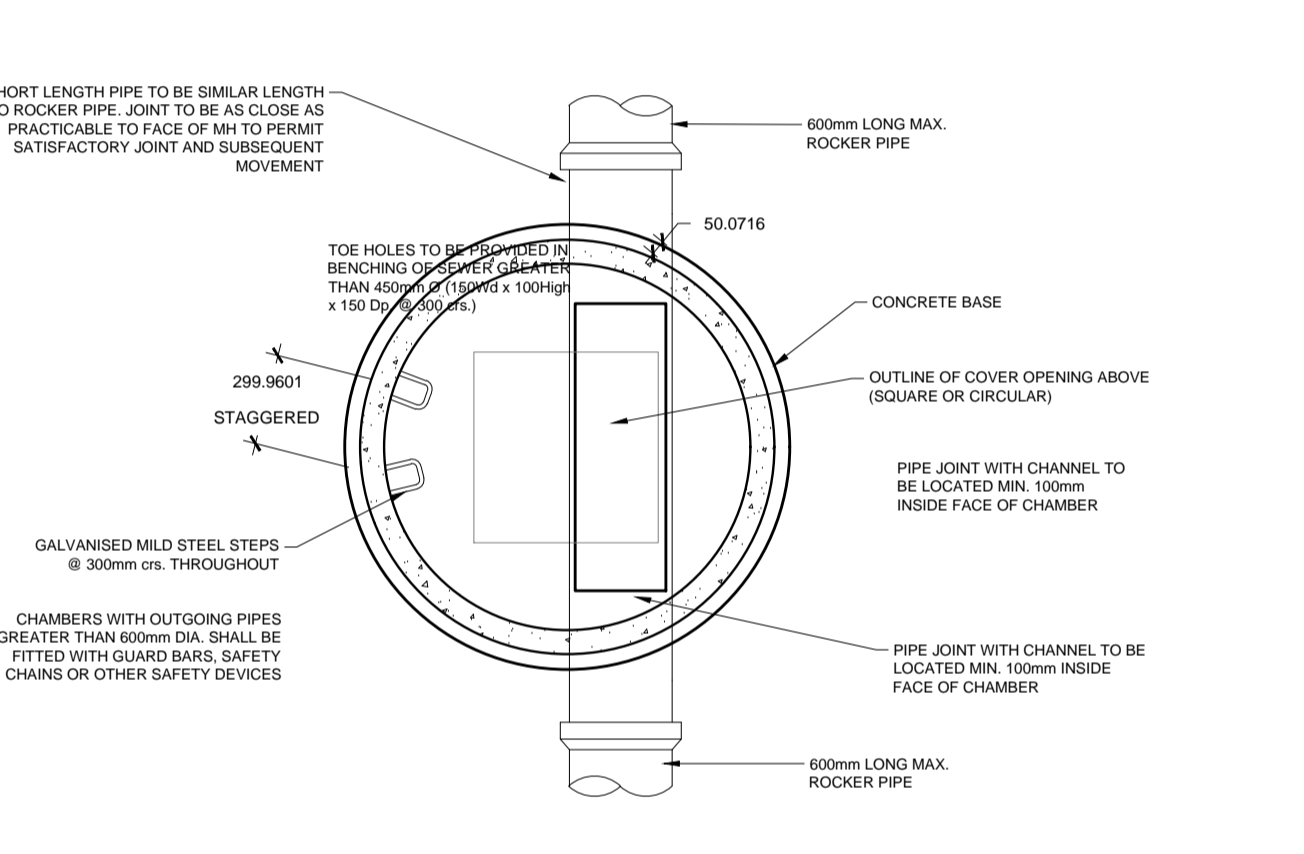
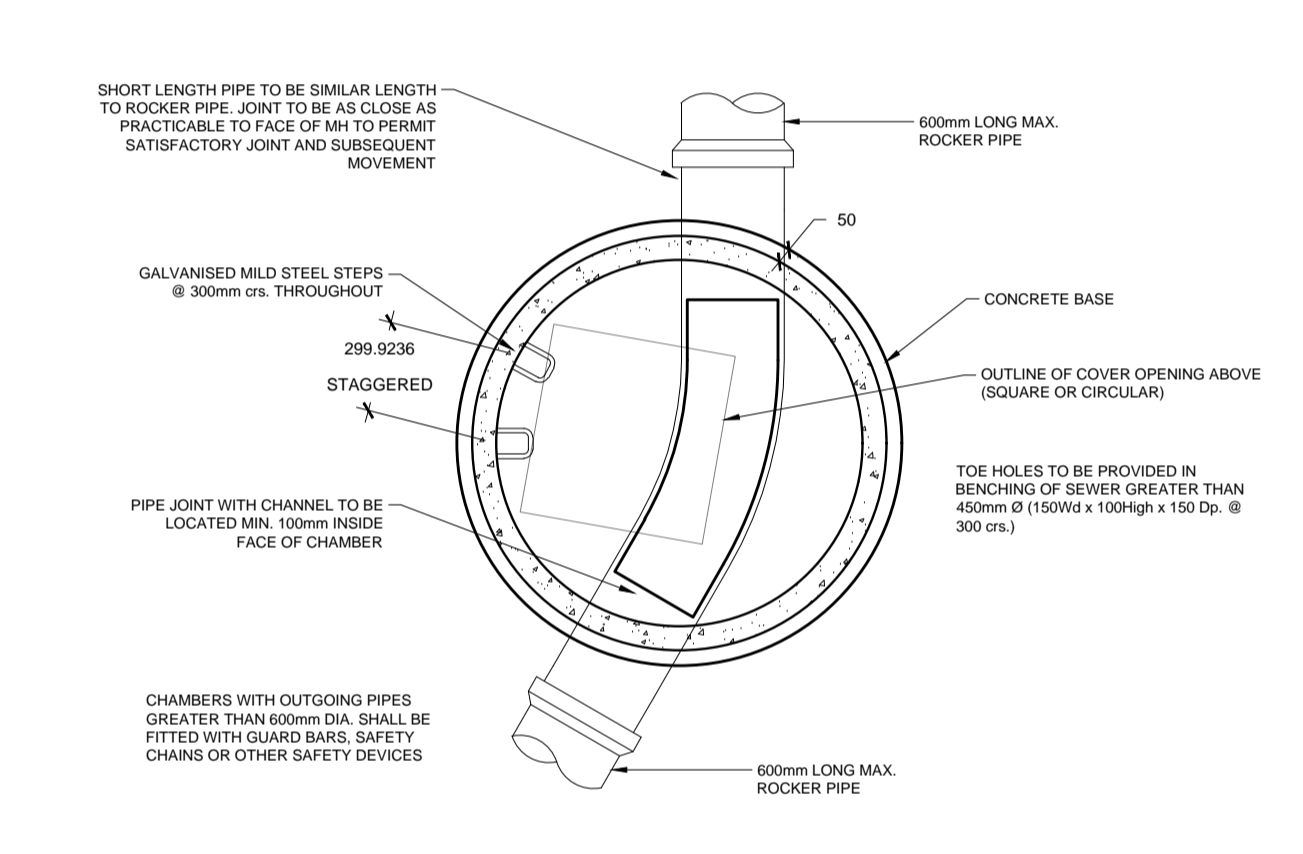
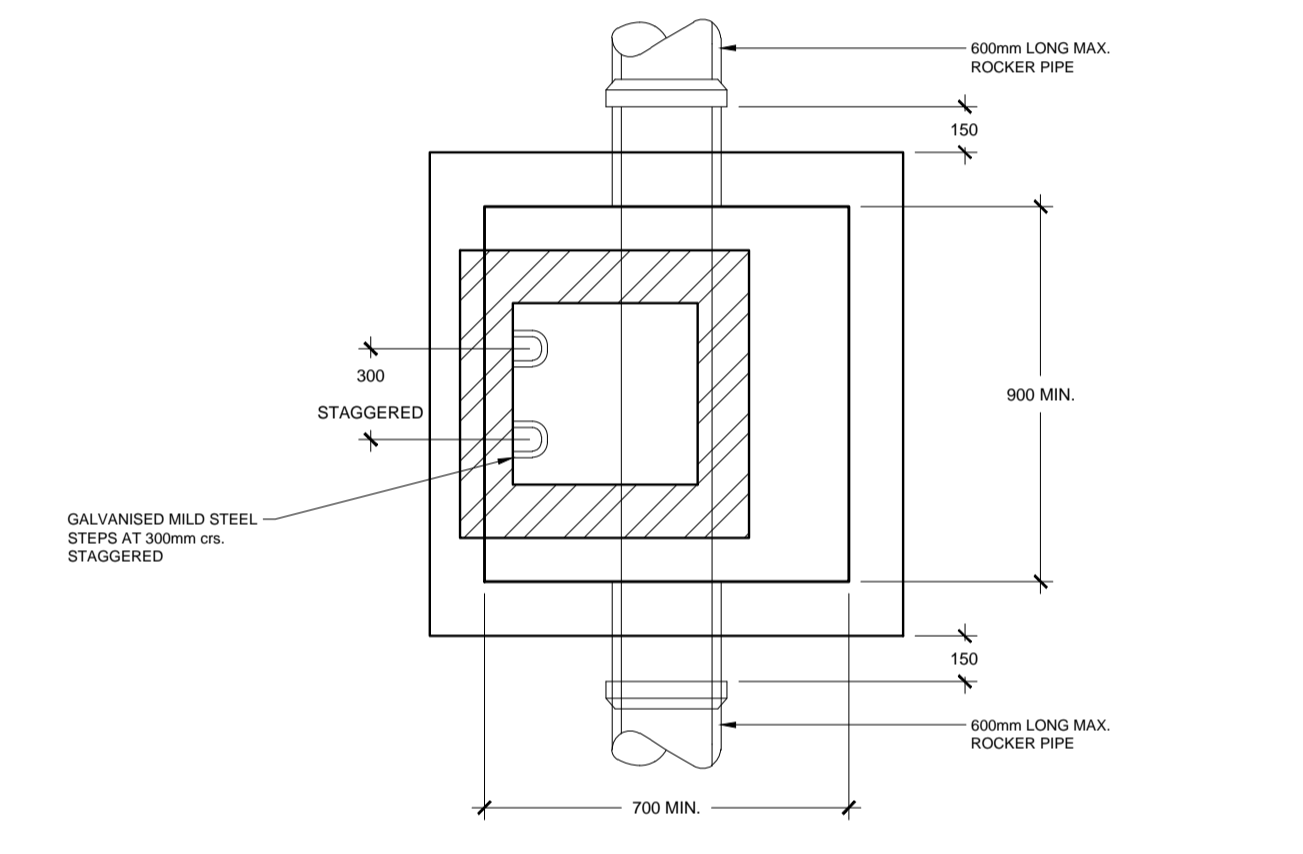
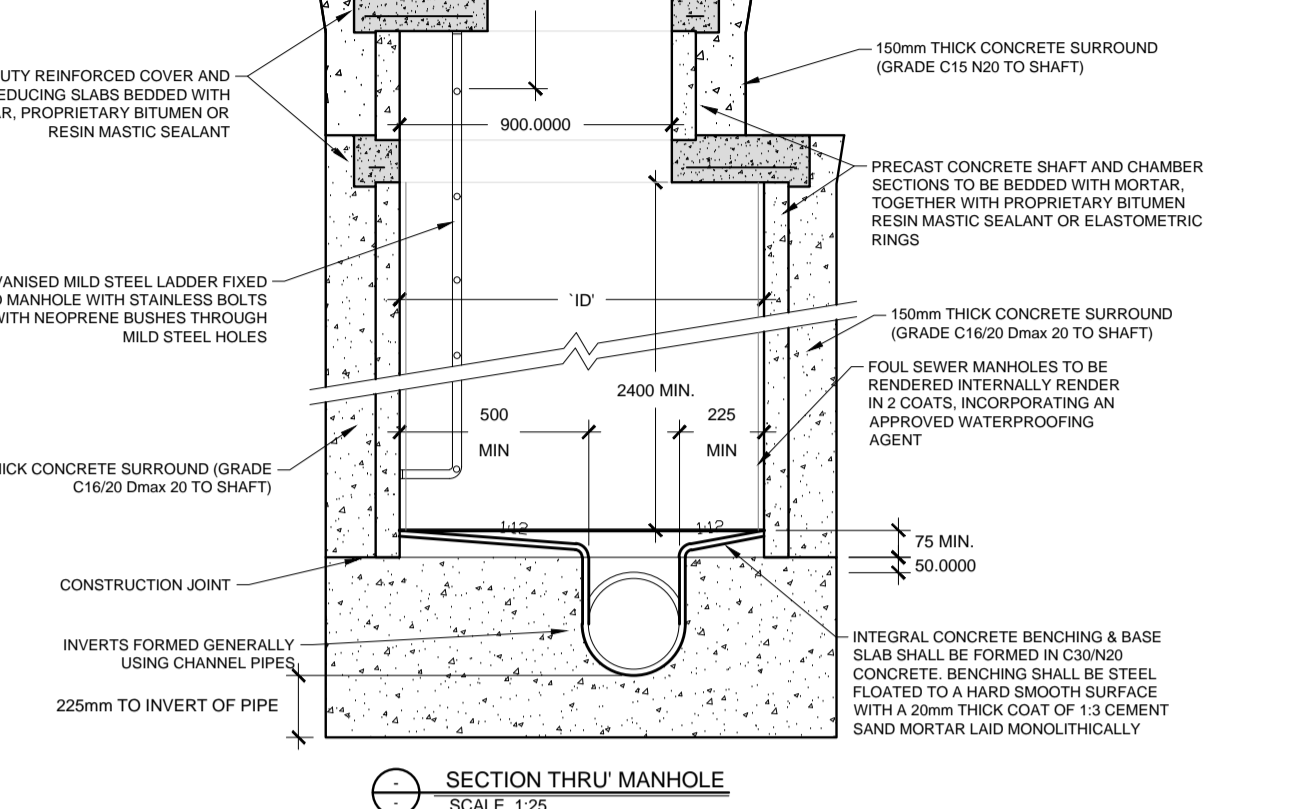
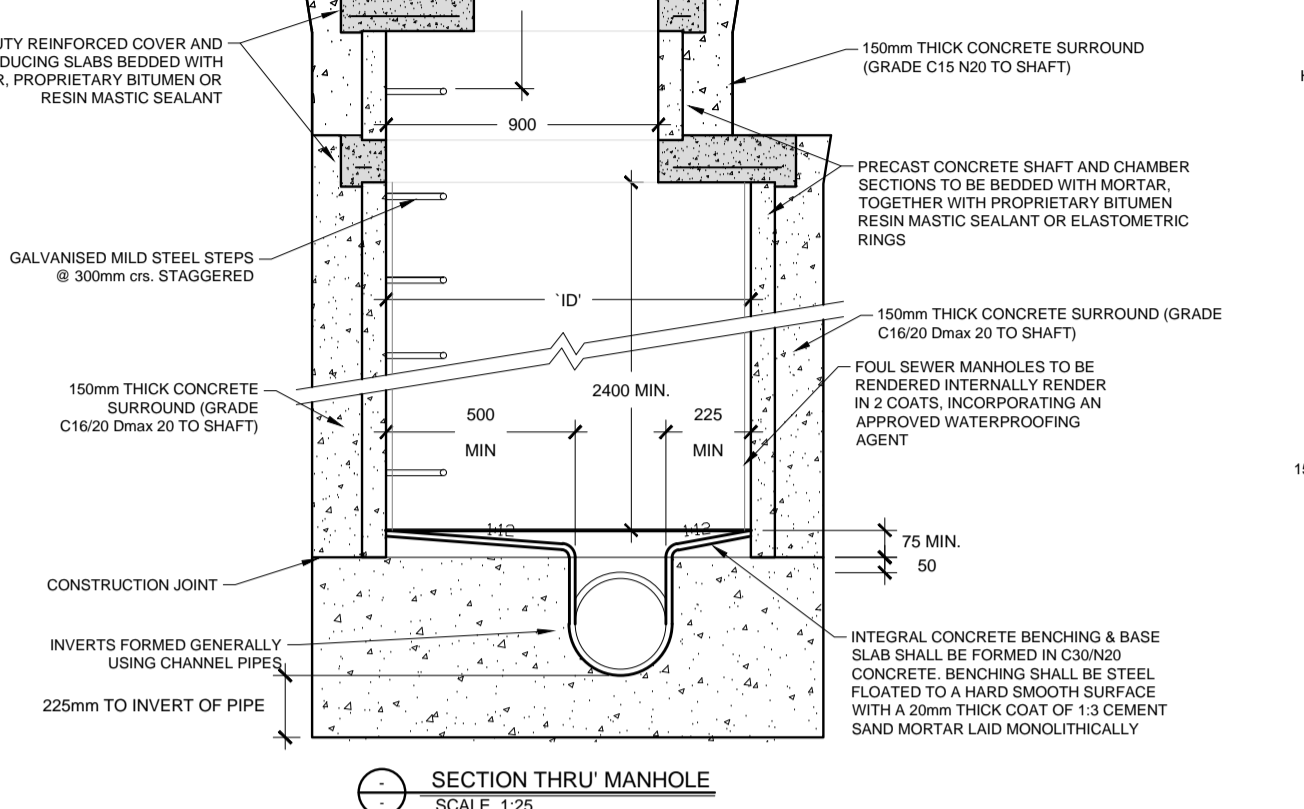
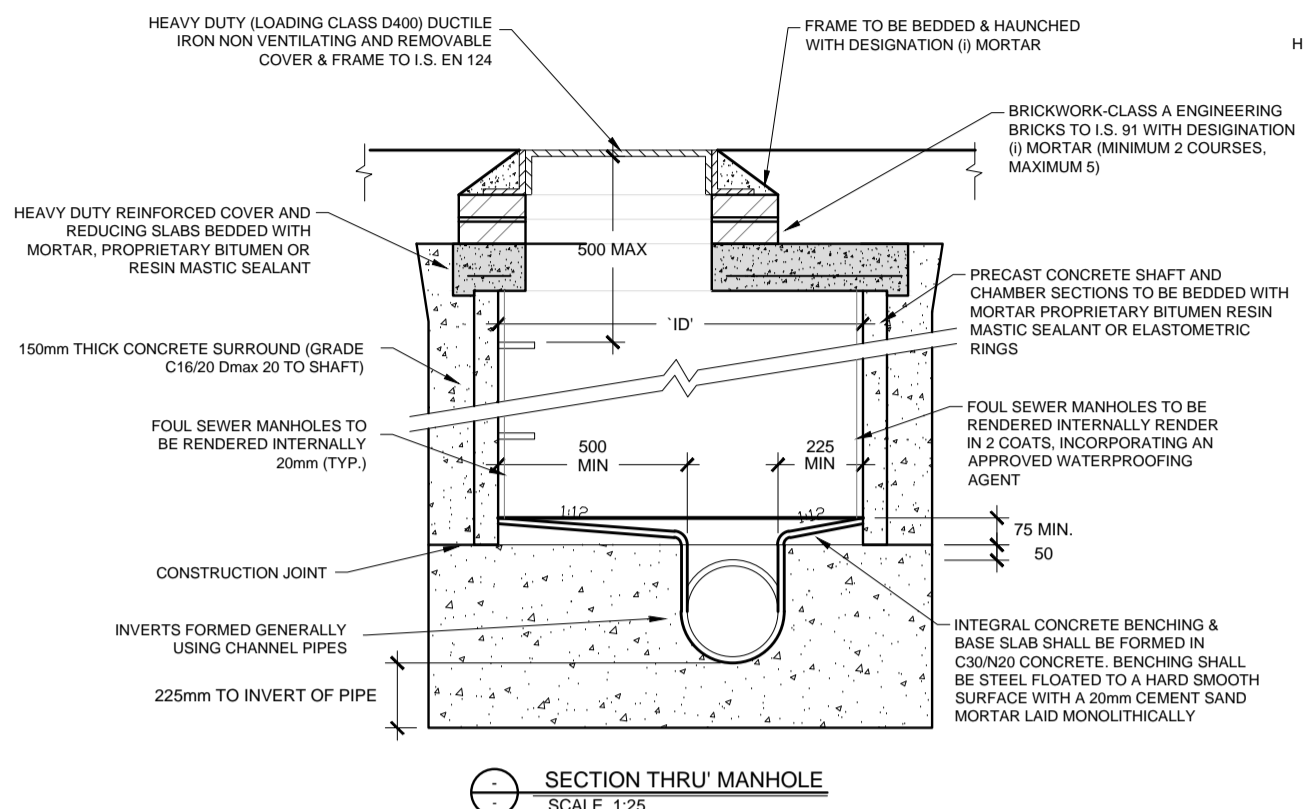
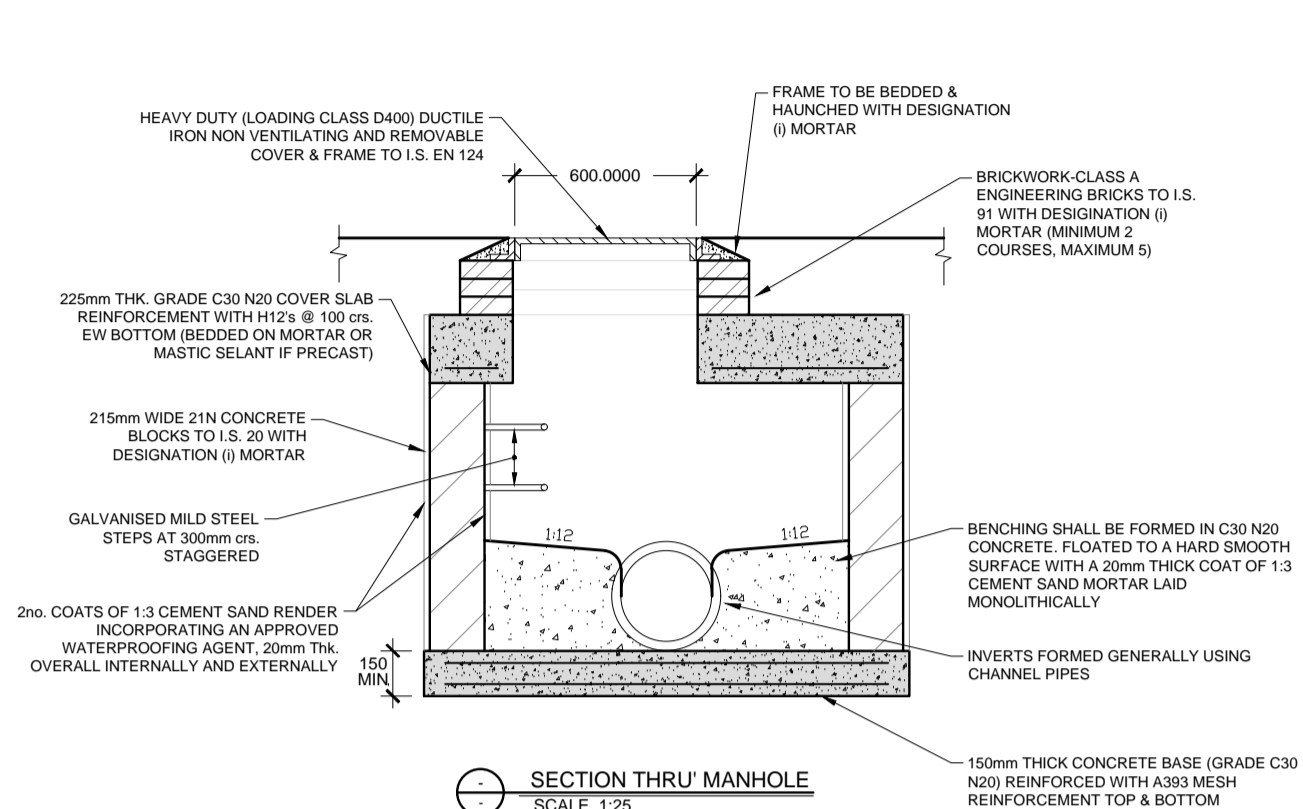


**REVISION SCHEDULE**

REV. NO.	REV. DESCRIPTION	REV. DATE	DRAWN	CHECKED
P1	PLANNING ISSUE	08/09/2020	AG	JP



PIPE Ø (mm)	MANHOLE TYPE			
	A	C	D	E
UP TO 225	700 x 900	900		
300	700 x 900	1000	1000	1000
375	700 x 900	1000	1000	1000
450	700 x 900	1000	1000	1000
525	700 x 900	1200	1200	1200
600		1200	1200	1200
675		1300	1300	1300
750		1300	1500	1500
900		1500	1500	1500

- NOTES**
- ALL DIMENSIONS ARE IN MILLIMETRES (mm) UNLESS NOTED OTHERWISE
  - RODDING EYE CHAMBER SHALL BE COVERED WITH APPROVED HEAVY DUTY METAL COVERS TO IS 261 AND BS 5884. COVER AND FRAME SHALL BE SUITABLE FOR ROAD AND TRAFFIC CONDITIONS AND IS SUBJECT TO THE APPROVAL OF IRISH WATER.
  - ALL CHAMBERS TO BE CHECKED FOR UPLIFT BY THE DEVELOPER BASED ON GROUND CONDITIONS WITHIN THE SITE. SHOULD ANY FLOTATION MEASURES BE REQUIRED THEY SHALL BE SUBJECT TO APPROVAL FROM IRISH WATER.
  - ALL CONCRETE TO BE IN ACCORDANCE WITH IS EN 206
  - MANHOLE DETAILS TO BE IN ACCORDANCE WITH IRISH WATER STANDARDS.

Drawing Stage:  
**PLANNING**

Project Details:	
Site Address:	Europa, Netown Avenue, Blackrock
Client:	Seabren Developments Limited
Architect:	Metropolitan Workshop
M&E Designer:	-
Contractor:	-

Notes

Drawn by:	Checked by:	Approved by:	Date:
BD	AG	JP	06/12/2019
Project Name:	Scale:	Project Number:	
Europa, Blackrock	AS SHOWN @ A1	1953	
Drawing Title:	Project:	Originator:	Zone:
TYPICAL DETAILS SHEET 1	-	CORA	-

Behan House,  
10 Lower Mount Street,  
Dublin 2. D02 HT71  
Tel: +353 1 661 1100  
e-mail: info@cora.ie  
Web: www.cora.ie

**CORA**  
CONSULTING ENGINEERS

Level:	Type:	Discipline:	Drawing No:	Stage:	Revision:
-	DR	C	010	P	01