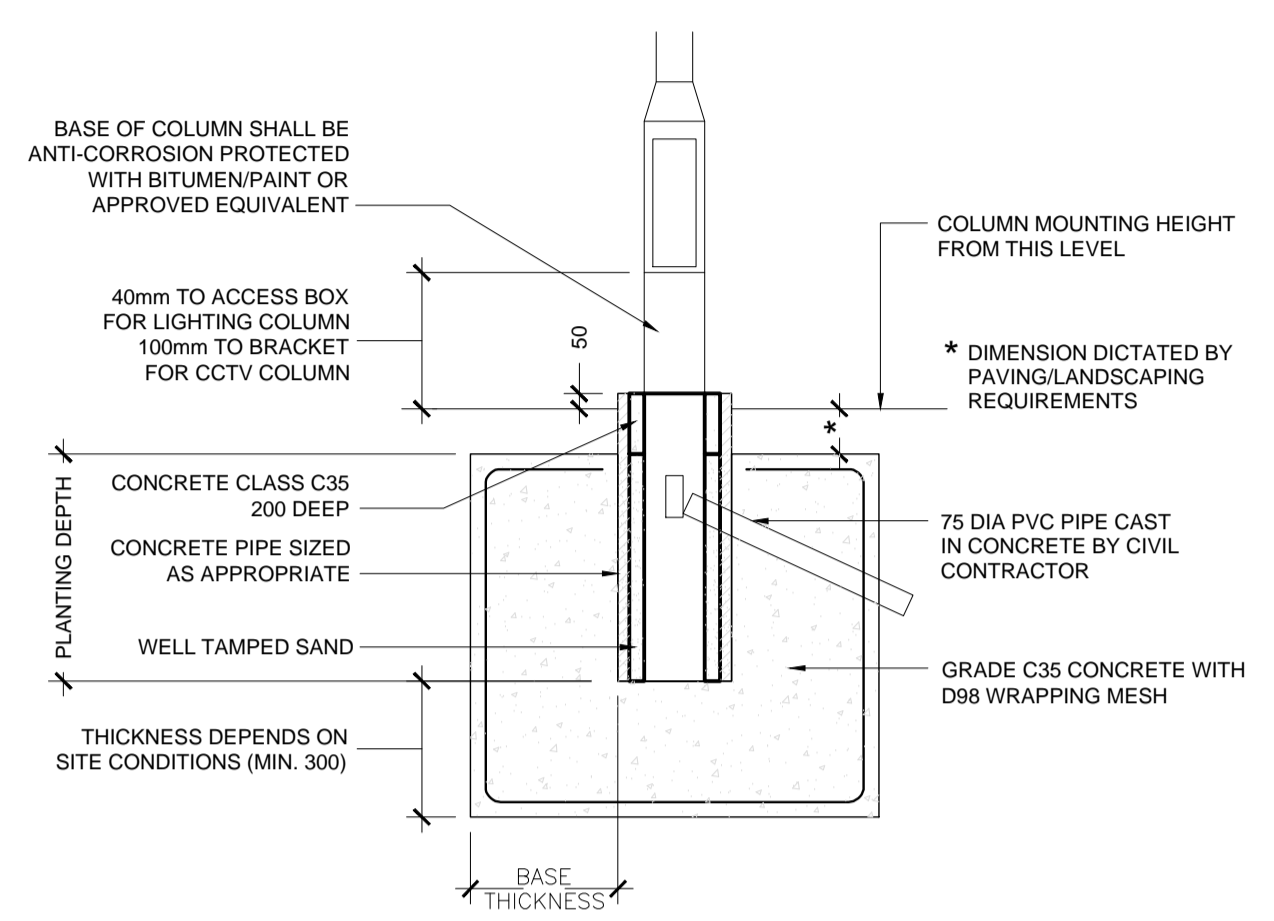
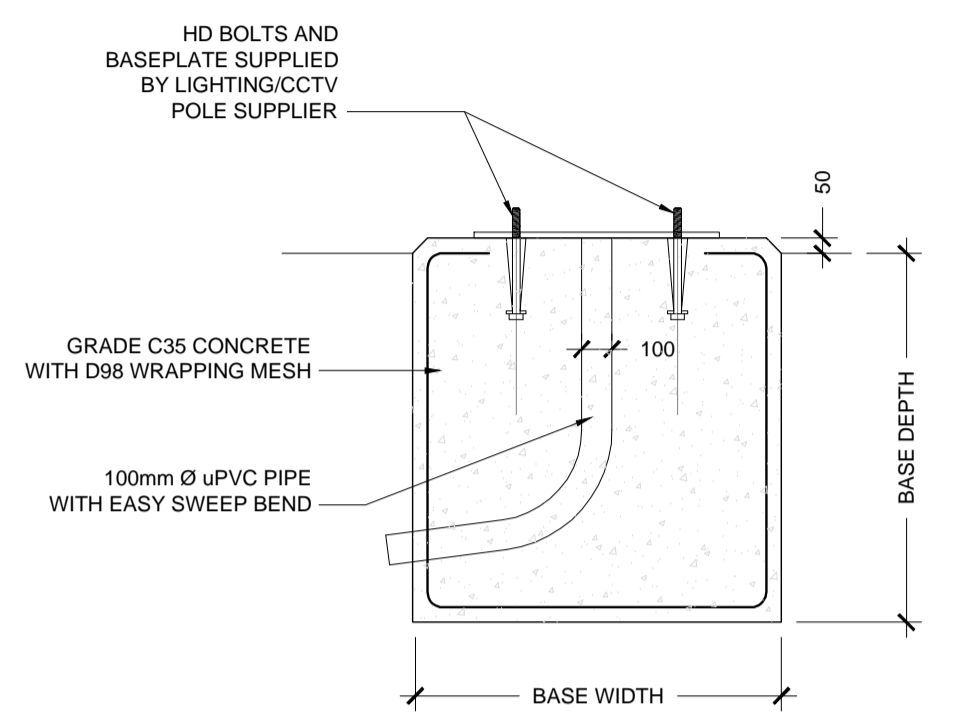


REVISION SCHEDULE				
REV. NO.	REV. DESCRIPTION	REV. DATE	DRAWN	CHECKED
P1	PLANNING ISSUE	08/09/2020	AG	JP



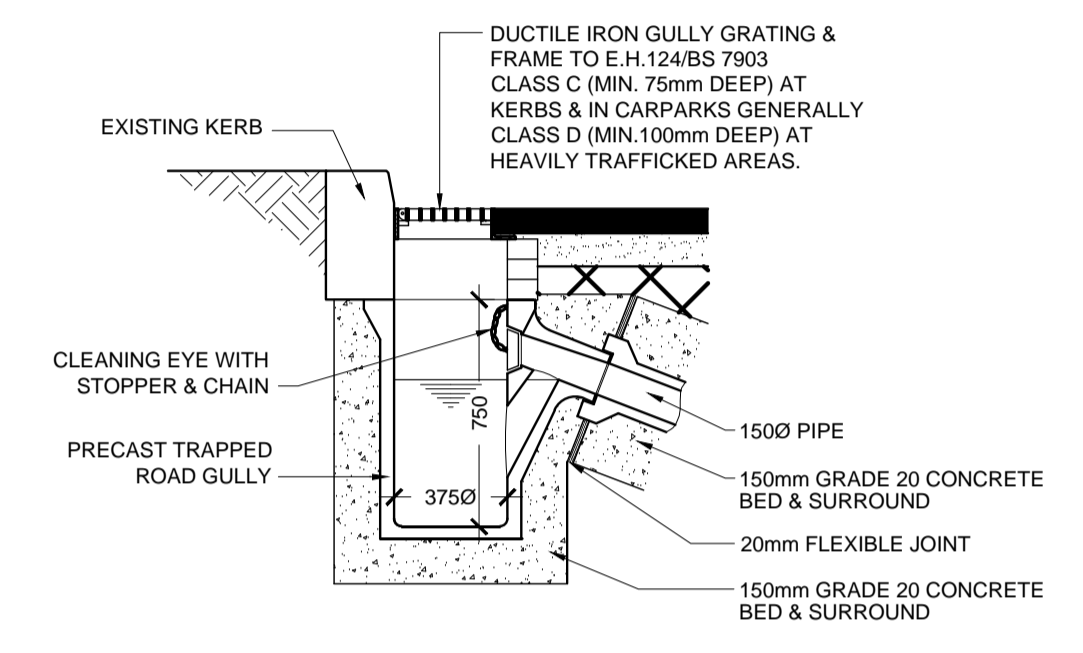
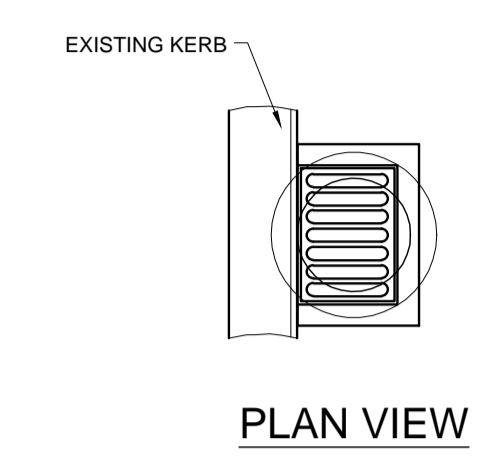
COLUMN MOUNTING HEIGHT (m)	PLANTING DEPTH (mm)	BASE THICKNESS (mm)
9	900	750
7.5	700	500
6	700	400
4.5	700	400
1.5	500	300

**PLANTED LIGHTING/CCTV COLUMN BASE DETAIL**

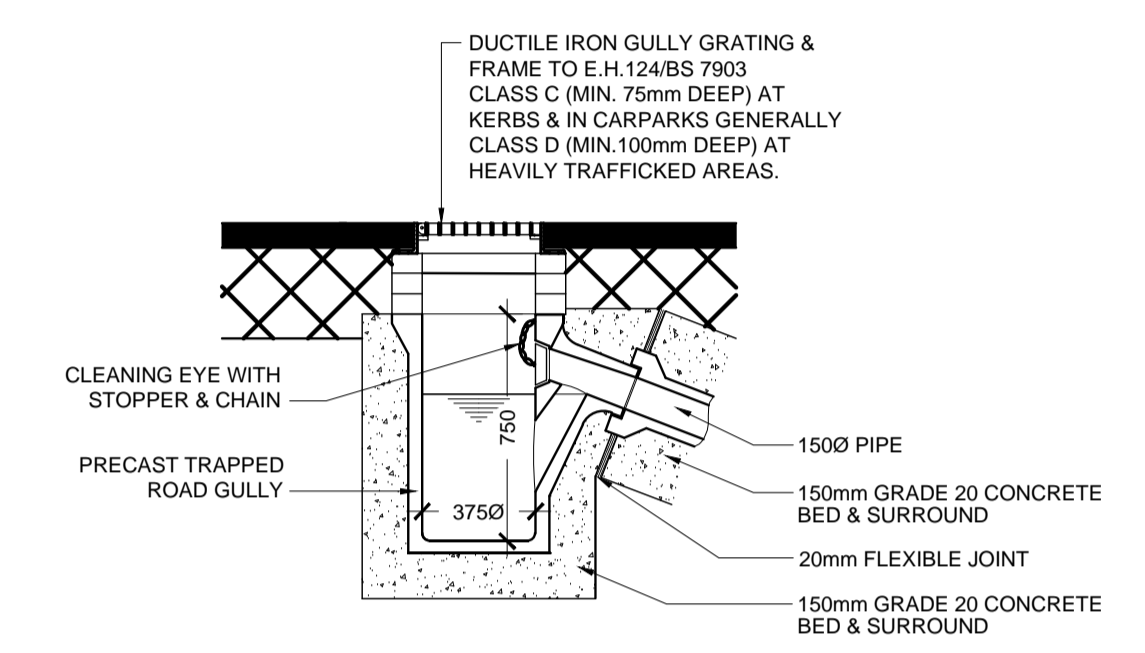
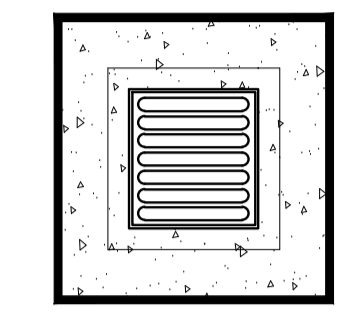


COLUMN MOUNTING HEIGHT (m)	BASE DEPTH (mm)	BASE WIDTH (mm)	MINIMUM HD BOLTS
9	1200	1500	4No. M24
7.5	750	1200	4No. M24
6	750	1000	4No. M20
4.5	750	1000	4No. M20

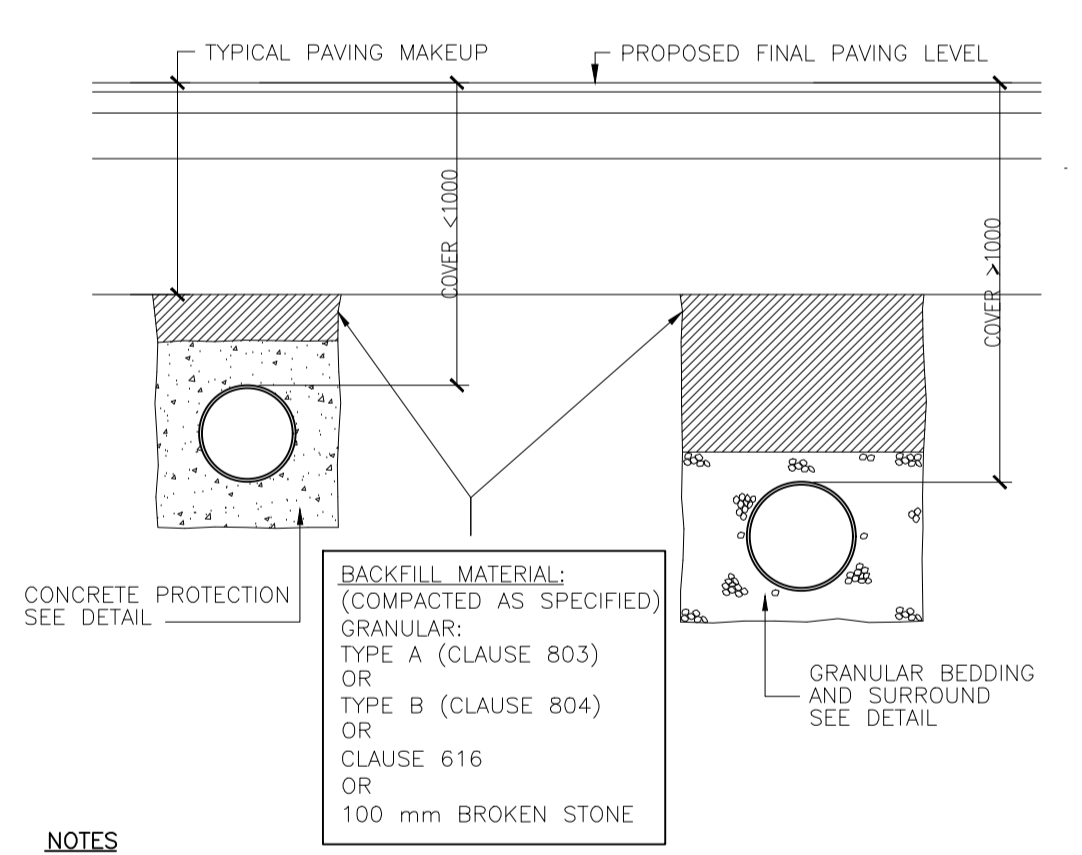
**BOLTED LIGHTING/CCTV COLUMN BASE DETAIL**



**TYPICAL GULLY DETAIL ADJACENT TO KERBS**

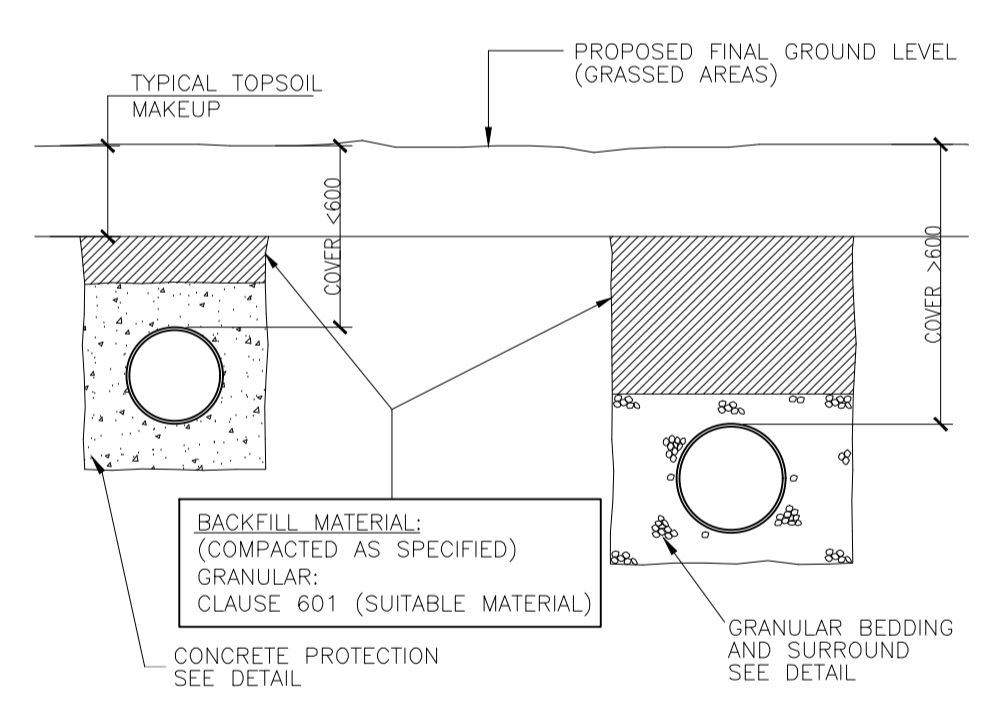


**TYPICAL ROAD GULLY DETAIL FOR ROADS**



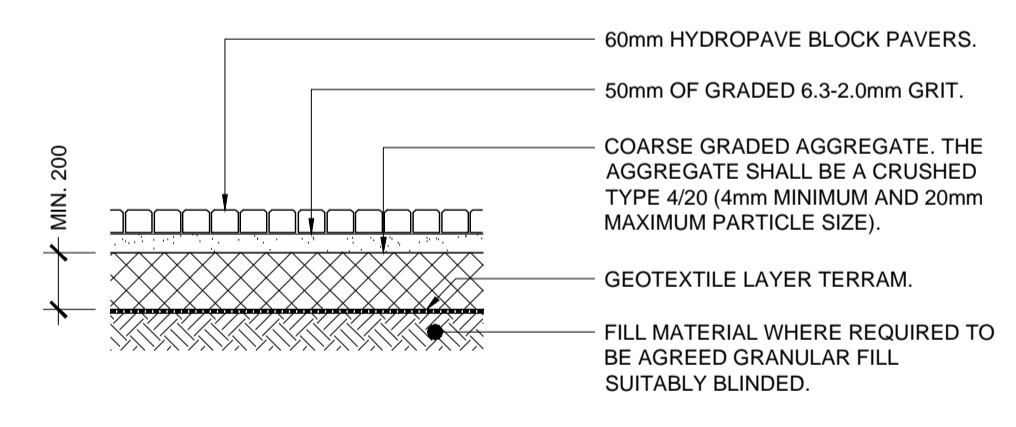
- NOTES**
- THIS DETAIL SHOWS CONCRETE PROTECTION REQUIREMENTS BASED ON DEPTH OF COVER.  
EXCEPTIONS:  
-GASMAINS : 750mm MIN. COVER WITHOUT CONCRETE PROTECTION  
-DUCTILE IRON PIPES : 300mm MIN. COVER WITHOUT CONCRETE PROTECTION
  - WHERE DEPTH OF COVER >3000mm, PROVIDE CONCRETE ENCASEMENT AS FOR SHALLOW PIPE, UNLESS PIPE OF APPROPRIATE STRENGTH CLASS (OR DUCTILE IRON) HAS BEEN SPECIFIED.
  - SEE ROAD CONSTRUCTION DRAWING FOR DETAILS OF PAVING LAYERS

**UNDERGROUND SERVICES IN PAVED AREAS**



- NOTES**
- THIS DETAIL SHOWS CONCRETE PROTECTION REQUIREMENTS BASED ON DEPTH OF COVER.  
EXCEPTIONS:  
-GASMAINS : 600mm MIN. COVER WITHOUT CONCRETE PROTECTION  
-DUCTILE IRON PIPES : 300mm MIN. COVER WITHOUT CONCRETE PROTECTION
  - WHERE DEPTH OF COVER >3000mm, PROVIDE CONCRETE ENCASEMENT AS FOR SHALLOW PIPE, UNLESS PIPE OF APPROPRIATE STRENGTH CLASS HAS BEEN SPECIFIED.
  - THE DETAILS APPROPRIATE TO UNPAVED AREAS SHALL ONLY BE USED WHERE APPROVED BY THE ENGINEER.

**UNDERGROUND SERVICES IN UNPAVED AREAS**



**PERMEABLE PAVED AREA**  
SCALE 1:20

Drawing Stage:  <b>PLANNING</b>	Project Details:	Notes	Drawn by:	Checked by:	Approved by:	Date:		Behan House, 10 Lower Mount Street, Dublin 2. D02 HT71 Tel: +353 1 661 1100 e-mail: info@cora.ie Web: www.cora.ie																	
	Site Address:		Europa, Netown Avenue, Blackrock	BD	AG	JP			06/12/2019																
	Client:		Seabren Developments Limited	Project Name:	Europa, Blackrock	Scale:			AS SHOWN @ A1	Project Number:	1953														
	Architect:		Metropolitan Workshop	Drawing Title:	TYPICAL DETAILS SHEET 3	Project:			-	Originator:	CORA	Zone:	-	Level:	-	Type:	DR	Discipline:	C	Drawing No:	012	Stage:	P	Revision:	01
	M&E Designer:		-																						
Contractor:	-																								